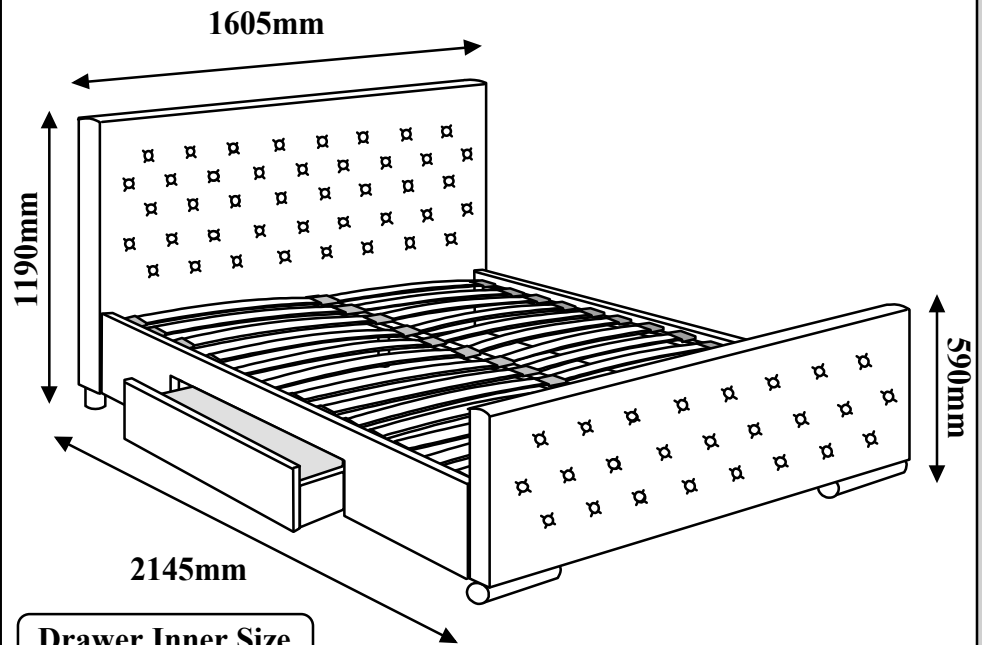


20
mins

**Approximate
Assembly Time**

**Two persons are
recommended to
assemble this product**



**Drawer Inner Size
1015 x 475 x 120mm**

Zoe 5' Bed



BEFORE STARTING...

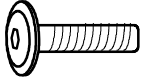
- Read the assembly instructions carefully before beginning assembly.
- Check and ensure that you have all parts and fittings for complete assembly.
- Choose a clean, level, spacious assembly area. Hard surfaces may damage the product.
- The packaging and contents can be a choking hazard, therefore keep out of reach of small children at all times.
- Do not over tighten the bolts as this may damage the thread.

HARDWARE

2

A

M8 x 25mm
x 12pcs



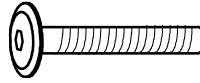
B

Washer
x 16pcs



C

M8 x 40mm
x 11pcs



D

Hex Nut
x 7pcs



E

25mm
Wood Screw
x 70pcs



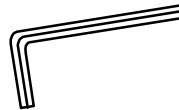
F

12mm
Wood Screw
x 32pcs



G

Allen Key
x 1pc

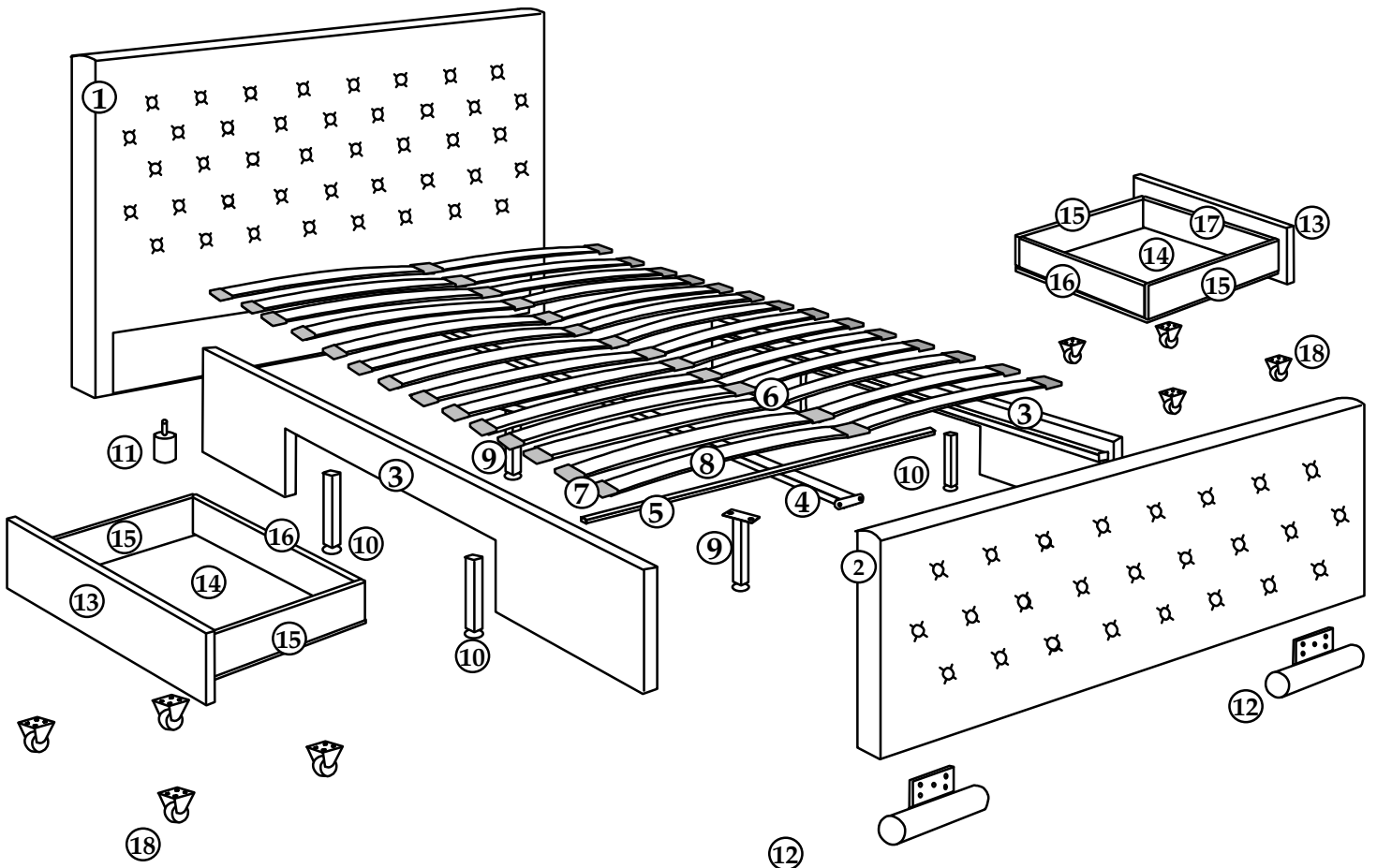


H

Spanner
x 1pc

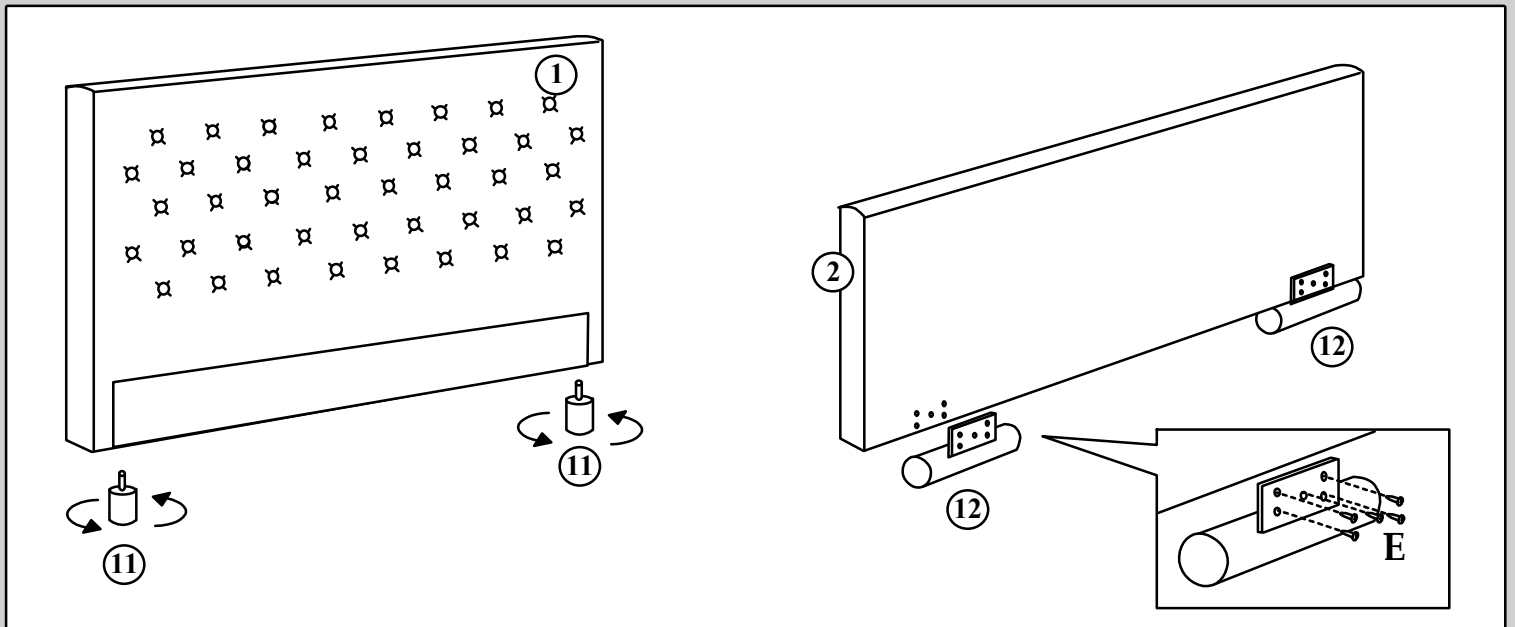


PART

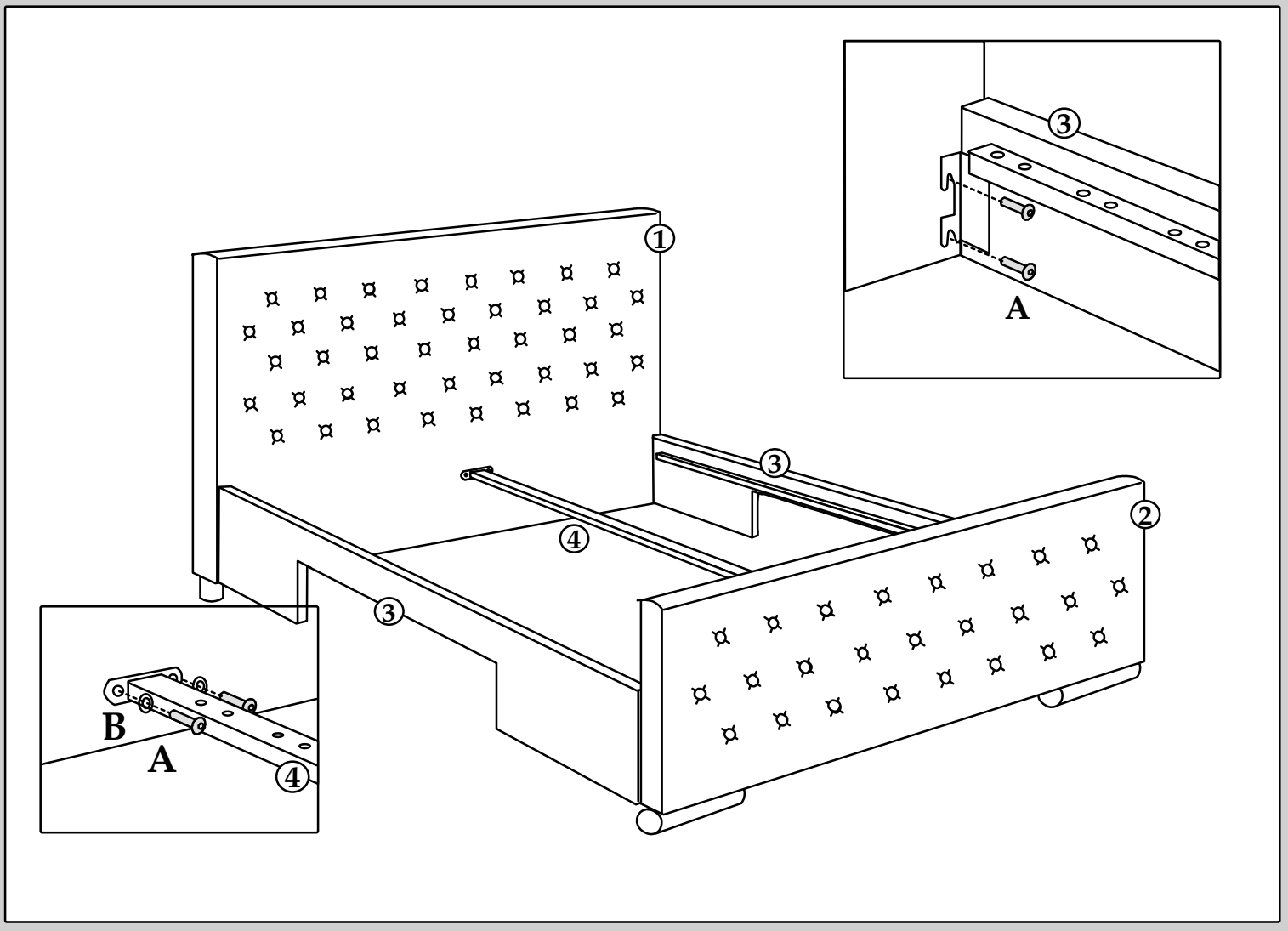


1 Screw in the legs to headend and footend.

3

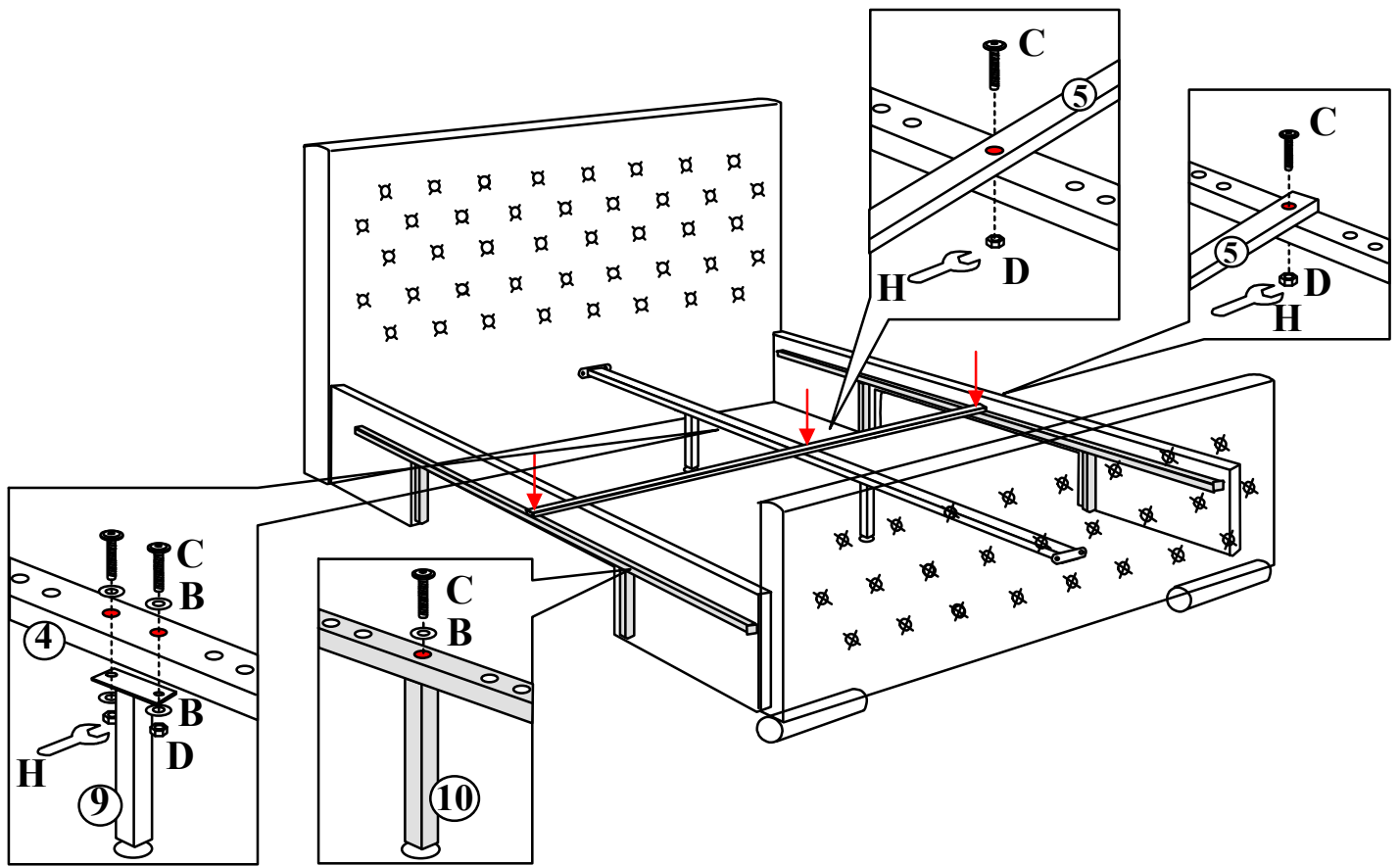


2 Attach the siderails and centre rail to the bedend.

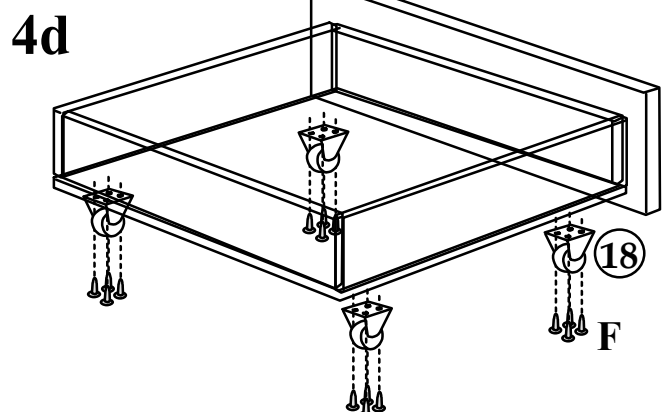
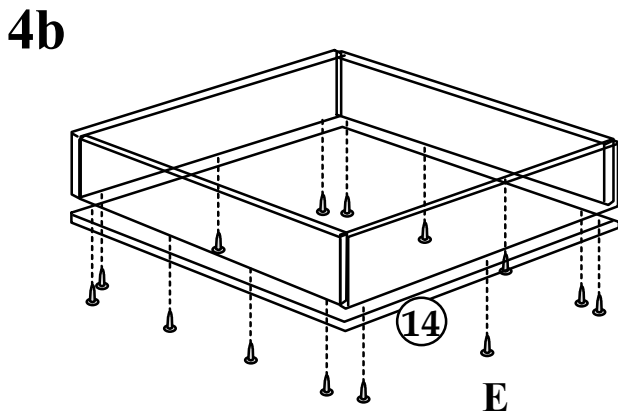
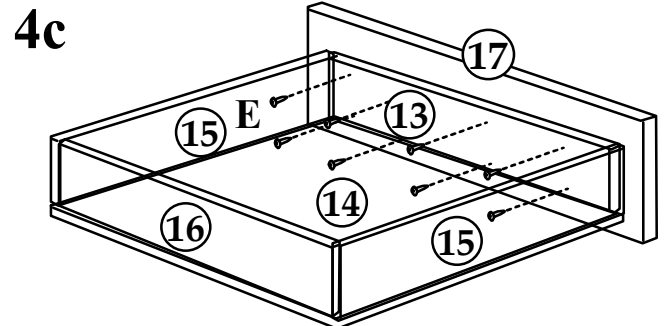
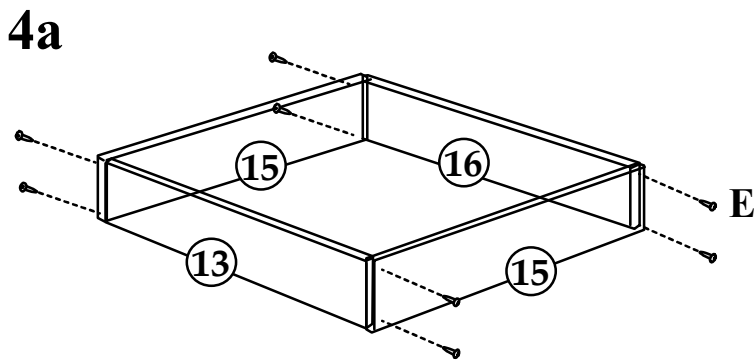


3 Attach across rail and support legs to the base.

4

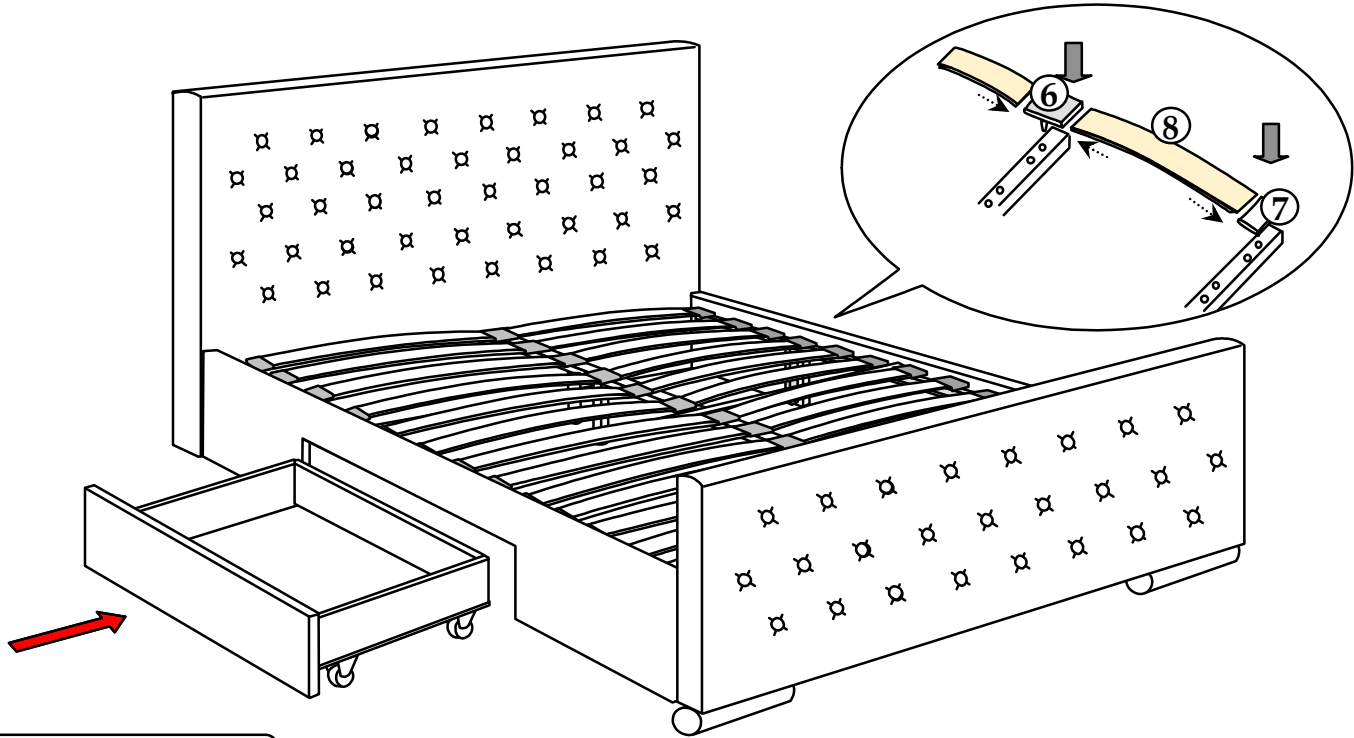


4 Assemble the drawer as shown.



5 Align the pins on the Holders to the holes along the Centre Rail and the Siderails. Gently tap them into the holes using hand palm. Slot in the drawer.

5



Drawer Inner Size
1015 x 475 x 120mm

- Retightening of all fixing periodically is recommended.
- When moving your fully assembled bed you must first remove the mattress and lift the frame into position, take care when lifting and always have two people handling the bed. **PLEASE DO NOT DRAG THE BED** as this will cause damage to the rail.
- It is advisable to use approved cleaning products when cleaning the furniture and bed frame as certain chemical based cleaners could have an adverse effect on the bed finish.
- If any queries, please contact your seller.