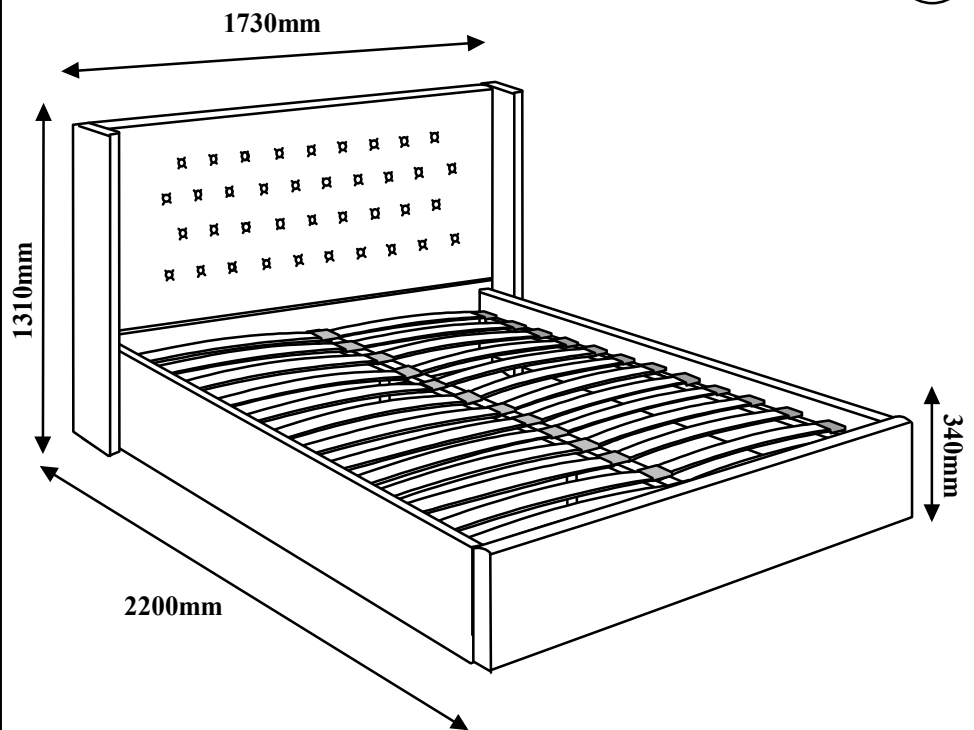


20  
mins

**Approximate  
Assembly Time**

**Two persons are  
recommended to  
assemble this product**



## Sienna 5'0 Bed



### BEFORE STARTING...

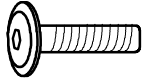
- **Read the assembly instructions carefully before beginning assembly.**
- **Check and ensure that you have all parts and fittings for complete assembly.**
- **Choose a clean, level, spacious assembly area. Hard surfaces may damage the product.**
- **The packaging and contents can be a choking hazard, therefore keep out of reach of small children at all times.**
- **Do not over tighten the bolts as this may damage the thread.**

# HARDWARE

2

**A**

M8 x 25mm  
x 12pcs



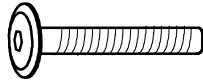
**B**

Washer  
x 26pcs



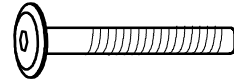
**C**

M8 x 40mm  
x 4pcs



**D**

M8 x 50mm  
x 3pcs



**E**

Hex Nut  
x 15pcs



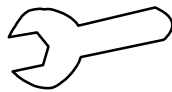
**F**

Allen Key  
x 1pc



**G**

Spanner  
x 1pc



**H**

Adjustable stud  
x 4pcs

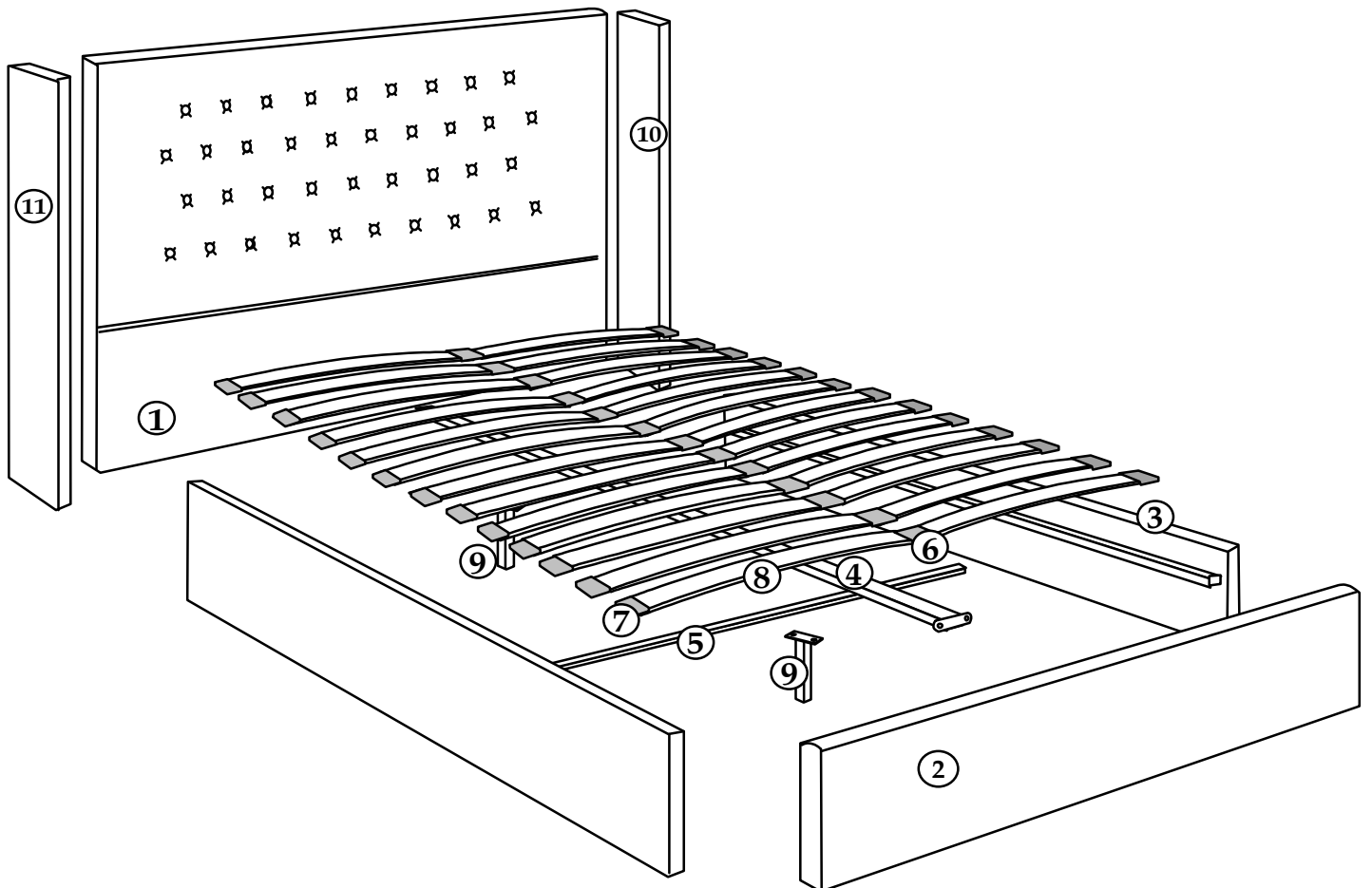


**I**

Threaded rod  
x 8pcs

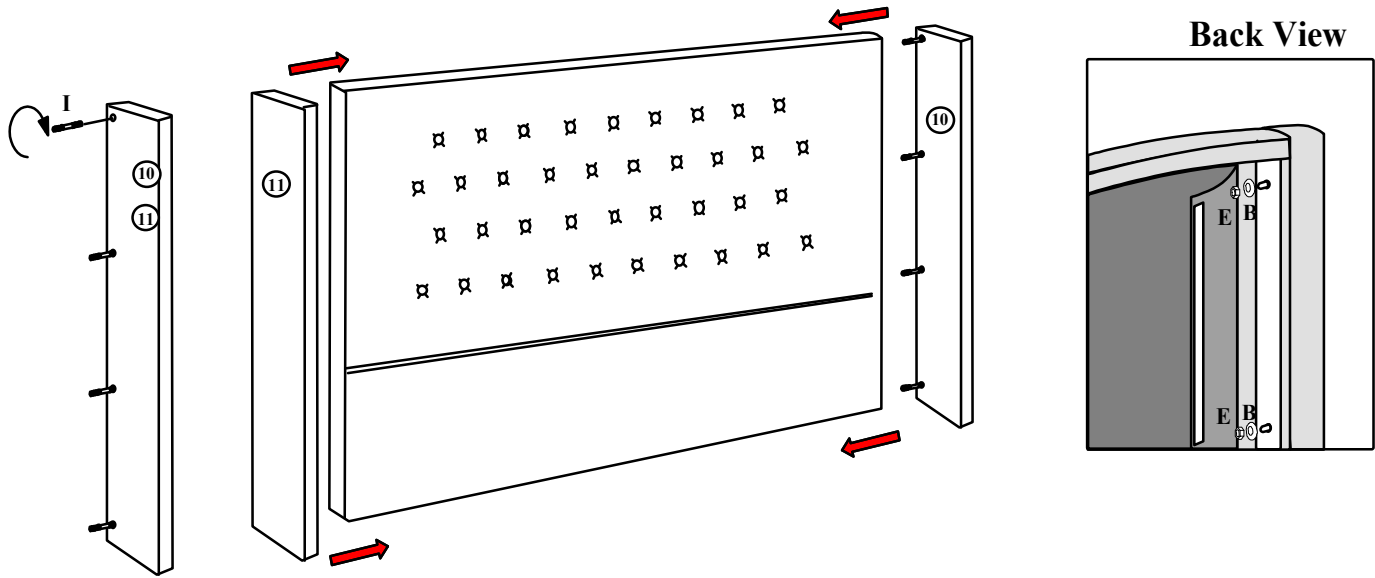


# PART

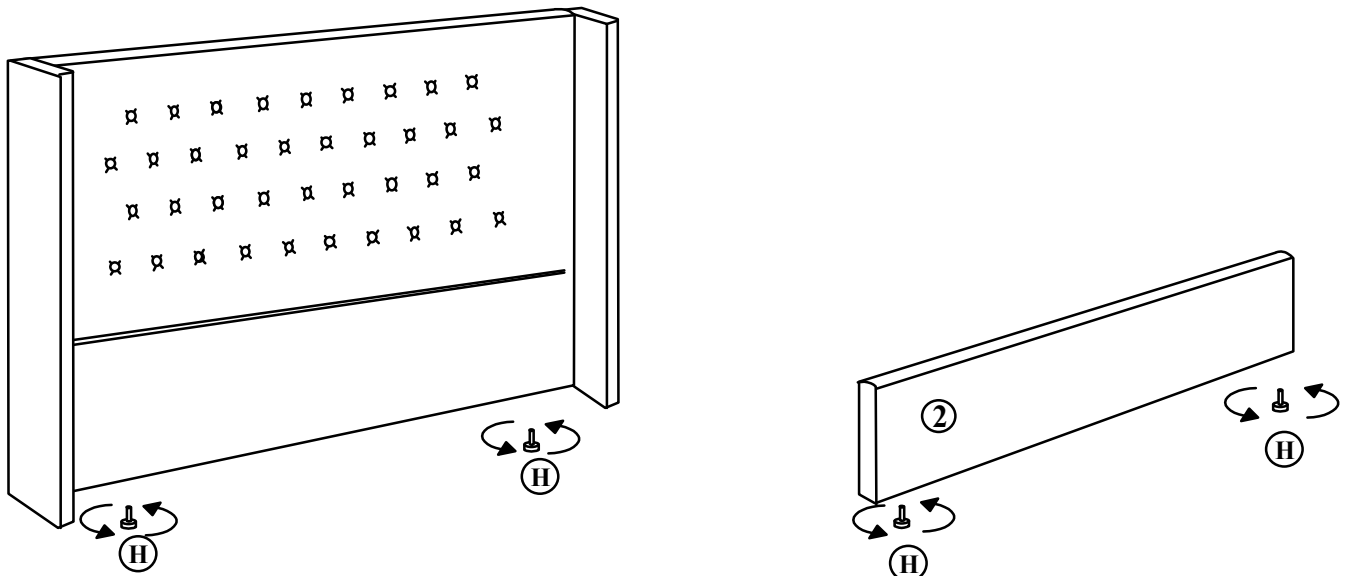


# 1 Attach the side panels to the headend.

3

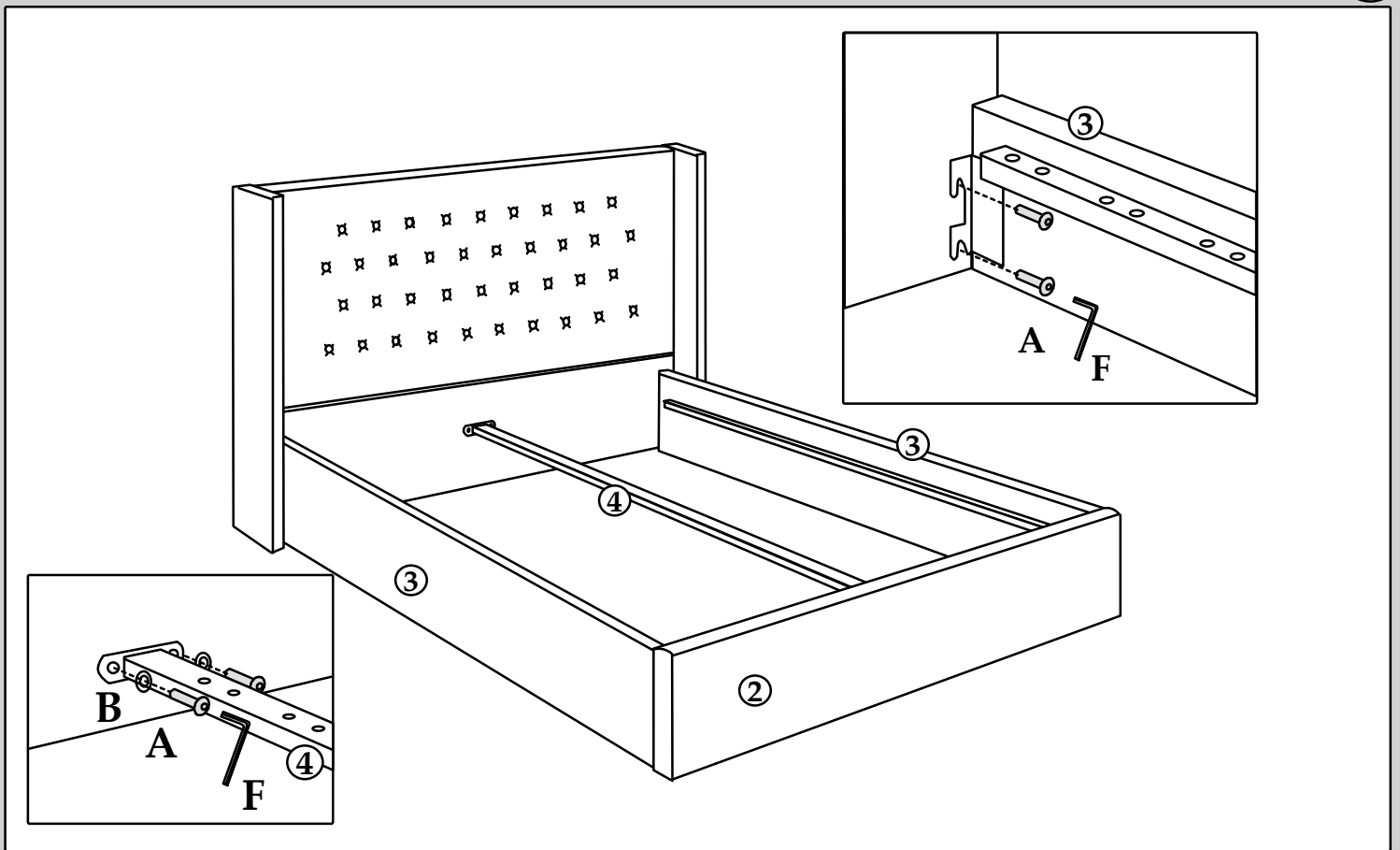


# 2 Screw in the wooden legs to headend and footend.

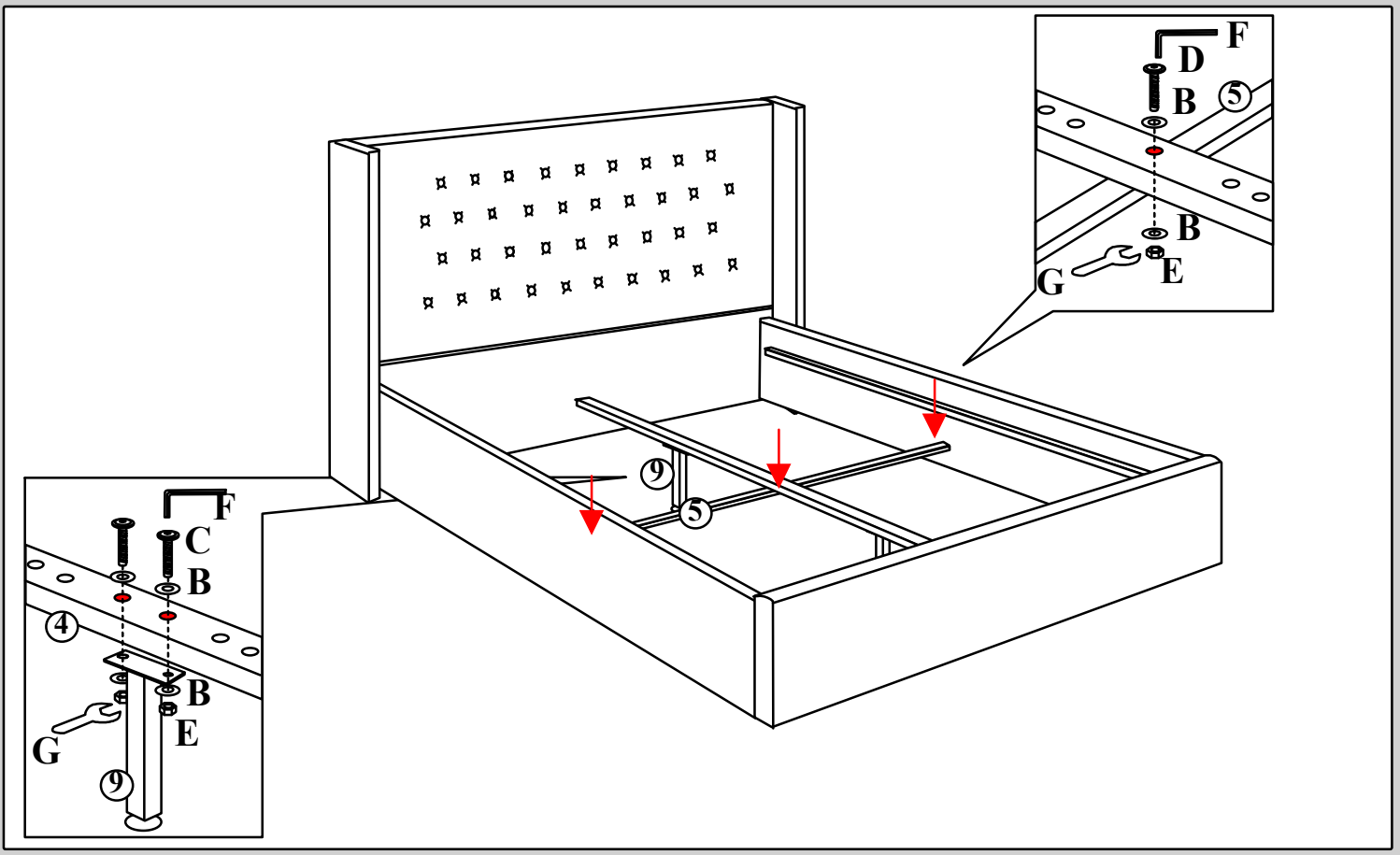


### 3 Attach the siderails and centre rail to the bedend.

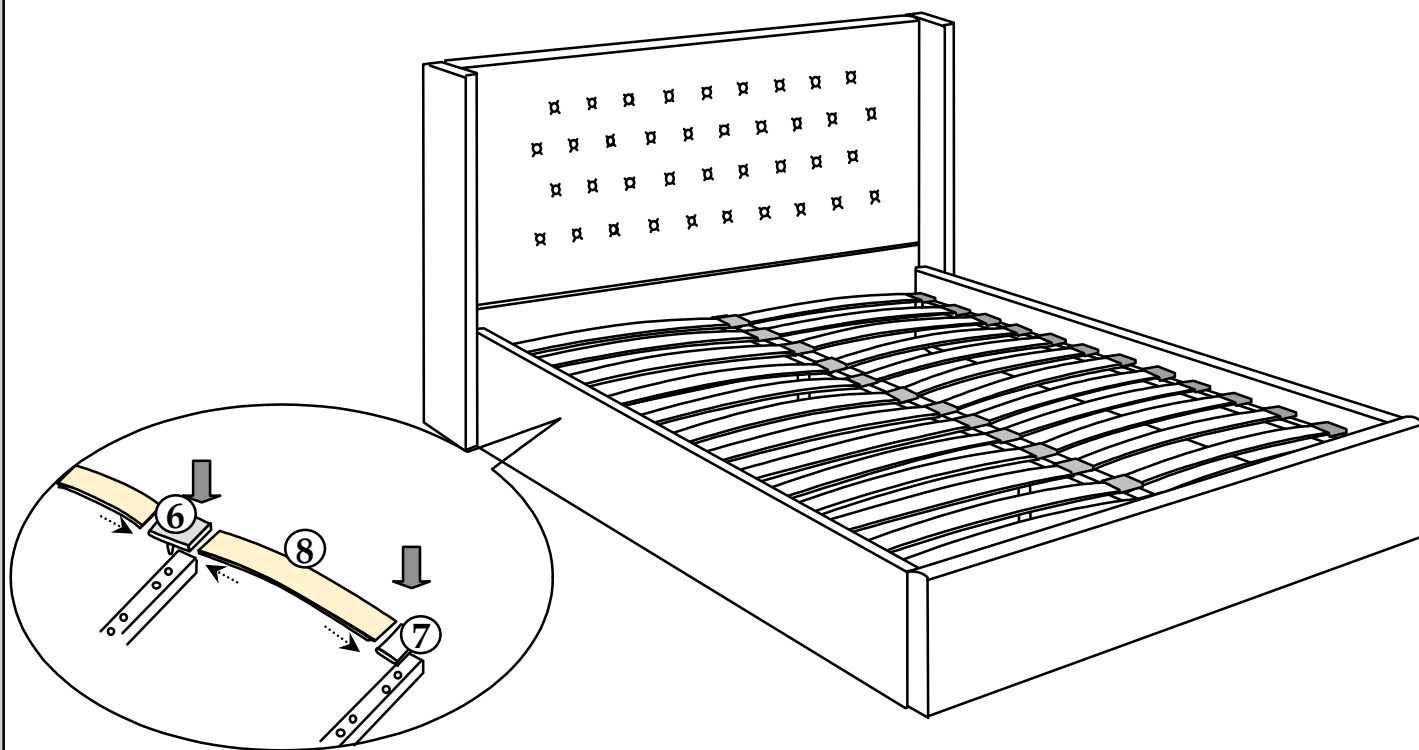
4



### 4 Attach across rail and support legs to the base.



**5** Align the pins on the Holders to the holes along the Centre Rail and the Siderails. Gently tap them into the holes using hand palm.



- Retightening of all fixing periodically is recommended.
- When moving your fully assembled bed you must first remove the mattress and lift the frame into position, take care when lifting and always have two people handling the bed. **PLEASE DO NOT DRAG THE BED** as this will cause damage to the rail.
- It is advisable to use approved cleaning products when cleaning the furniture and bed frame as certain chemical based cleaners could have an adverse effect on the bed finish.
- If any queries, please contact your seller.