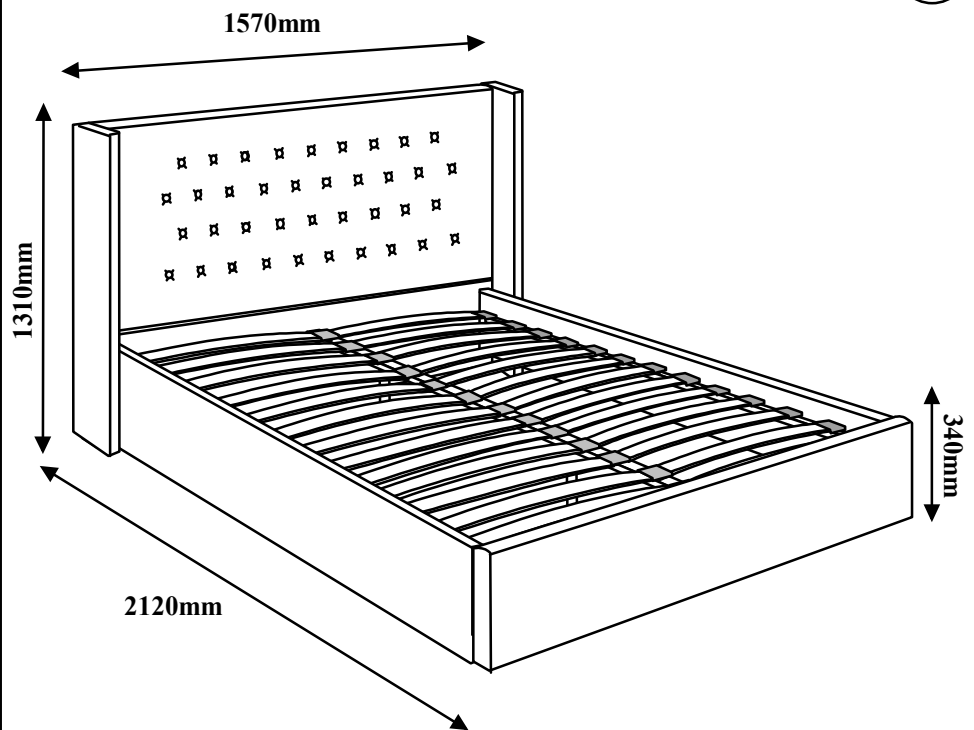


20
mins

**Approximate
Assembly Time**

**Two persons are
recommended to
assemble this product**



Sienna 4'6" Bed



BEFORE STARTING...

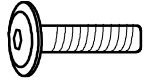
- Read the assembly instructions carefully before beginning assembly.
- Check and ensure that you have all parts and fittings for complete assembly.
- Choose a clean, level, spacious assembly area. Hard surfaces may damage the product.
- The packaging and contents can be a choking hazard, therefore keep out of reach of small children at all times.
- Do not over tighten the bolts as this may damage the thread.

HARDWARE

2

A

M8 x 25mm
x 12pcs



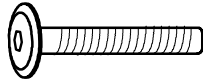
B

Washer
x 26pcs



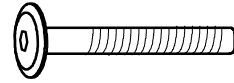
C

M8 x 40mm
x 4pcs



D

M8 x 50mm
x 3pcs



E

Hex Nut
x 15pcs



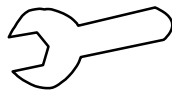
F

Allen Key
x 1pc



G

Spanner
x 1pc



H

Adjustable stud
x 4pcs

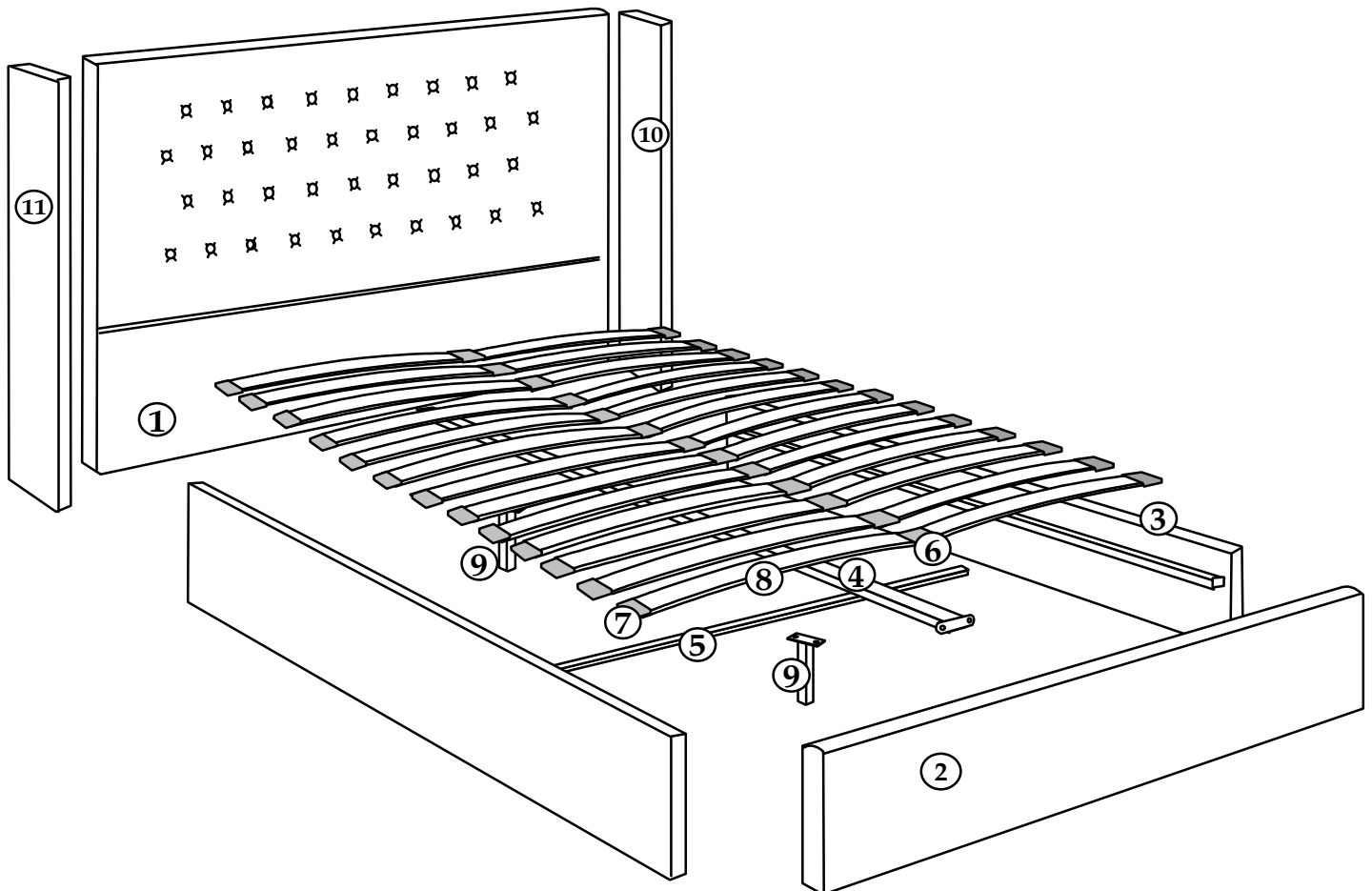


I

Threaded rod
x 8pcs

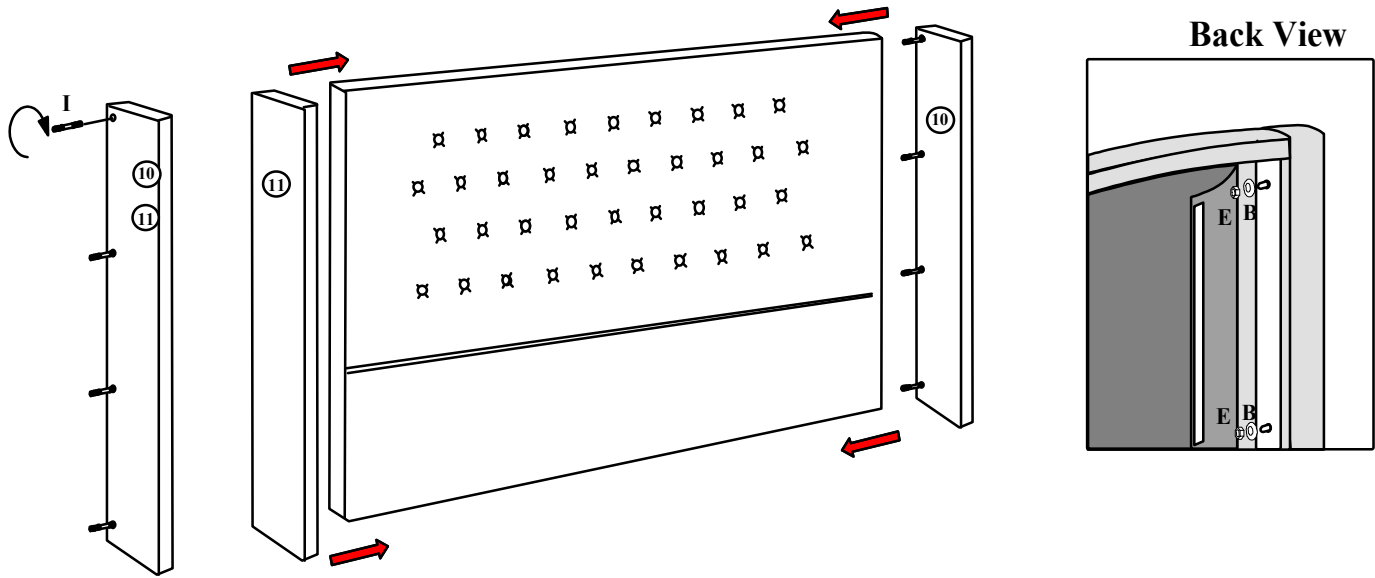


PART

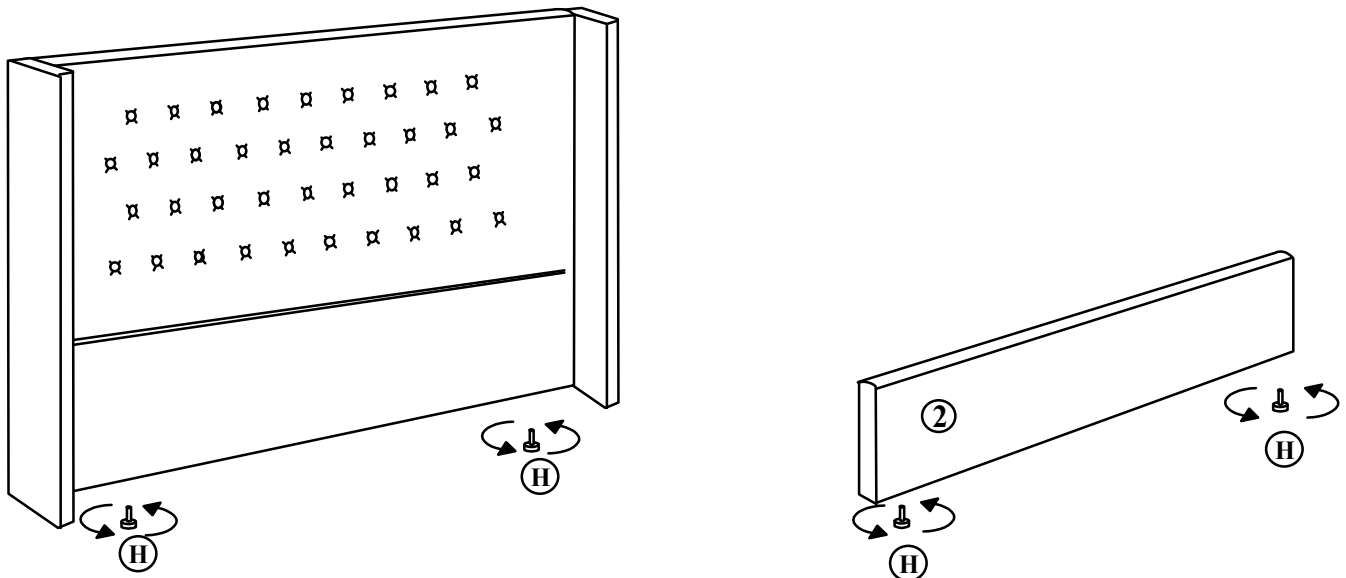


1 Attach the side panels to the headend.

3

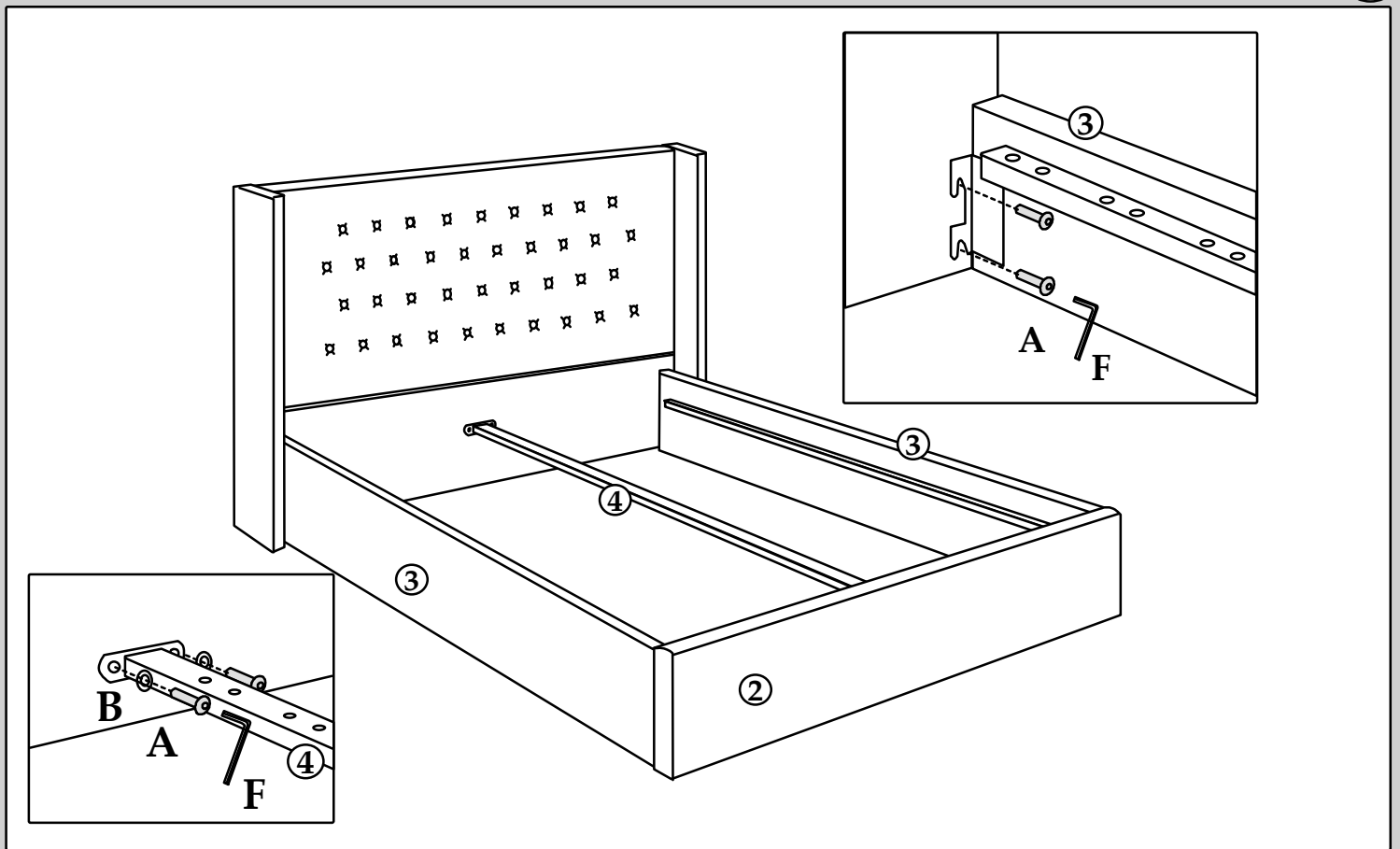


2 Screw in the wooden legs to headend and footend.

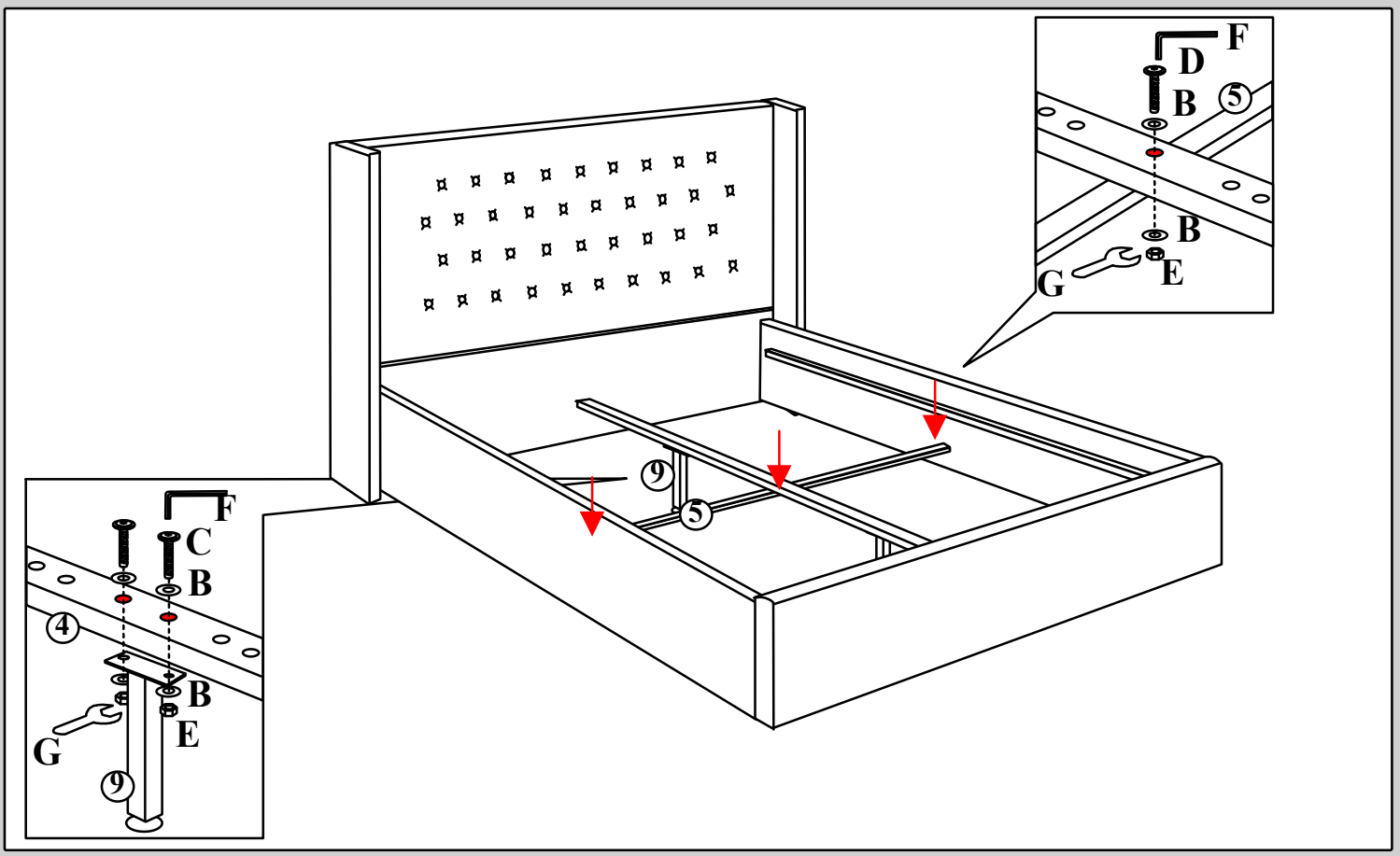


3 Attach the siderails and centre rail to the bedend.

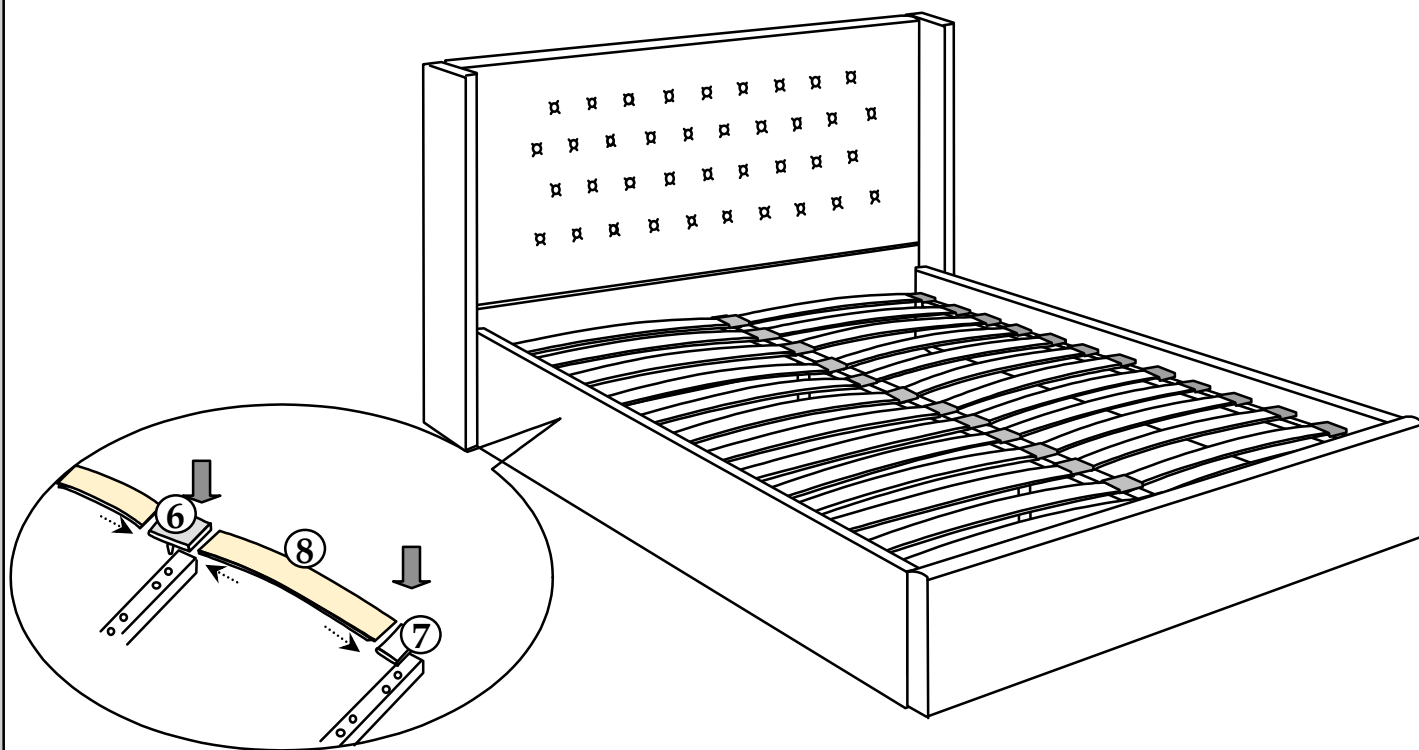
4



4 Attach across rail and support legs to the base.



5 Align the pins on the Holders to the holes along the Centre Rail and the Siderails. Gently tap them into the holes using hand palm.



- Retightening of all fixing periodically is recommended.
- When moving your fully assembled bed you must first remove the mattress and lift the frame into position, take care when lifting and always have two people handling the bed. **PLEASE DO NOT DRAG THE BED** as this will cause damage to the rail.
- It is advisable to use approved cleaning products when cleaning the furniture and bed frame as certain chemical based cleaners could have an adverse effect on the bed finish.
- If any queries, please contact your seller.