

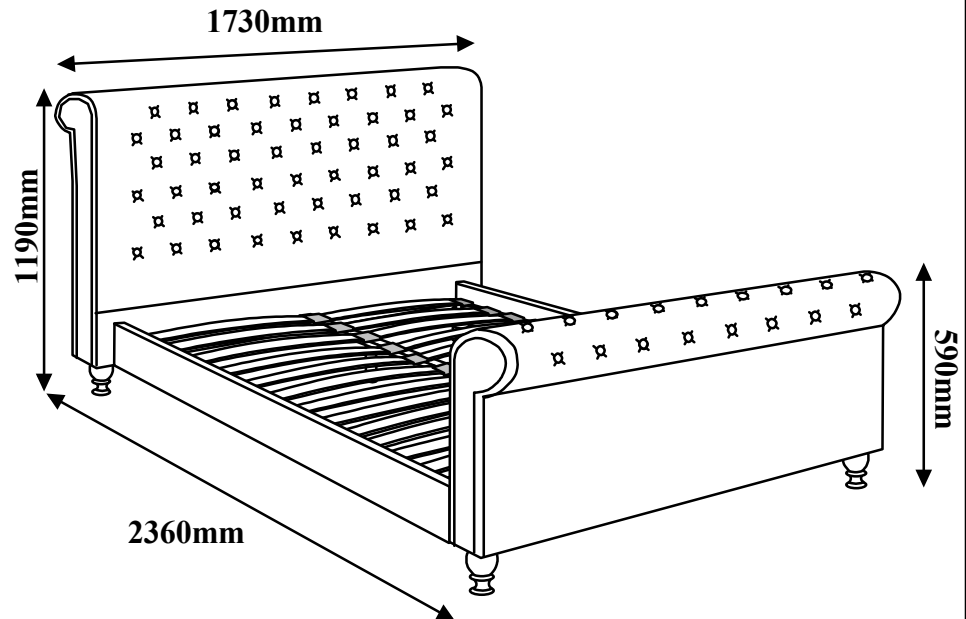
20  
mins

**Approximate  
Assembly Time**

**Two persons are  
recommended to  
assemble this product**



1



## Selina 5' Bed

### BEFORE STARTING...

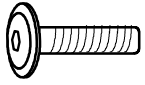
- Read the assembly instructions carefully before beginning assembly.
- Check and ensure that you have all parts and fittings for complete assembly.
- Choose a clean, level, spacious assembly area. Hard surfaces may damage the product.
- The packaging and contents can be a choking hazard, therefore keep out of reach of small children at all times.
- Do not over tighten the bolts as this may damage the thread.

# HARDWARE

2

**A**

M8 x 25mm  
x 12pcs



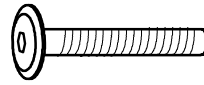
**B**

Washer  
x 18pcs



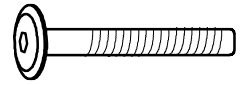
**C**

M8 x 40mm  
x 4pcs



**D**

M8 x 50mm  
x 3pcs



**E**

Hex Nut  
x 7pcs



**F**

Allen Key  
x 1pc

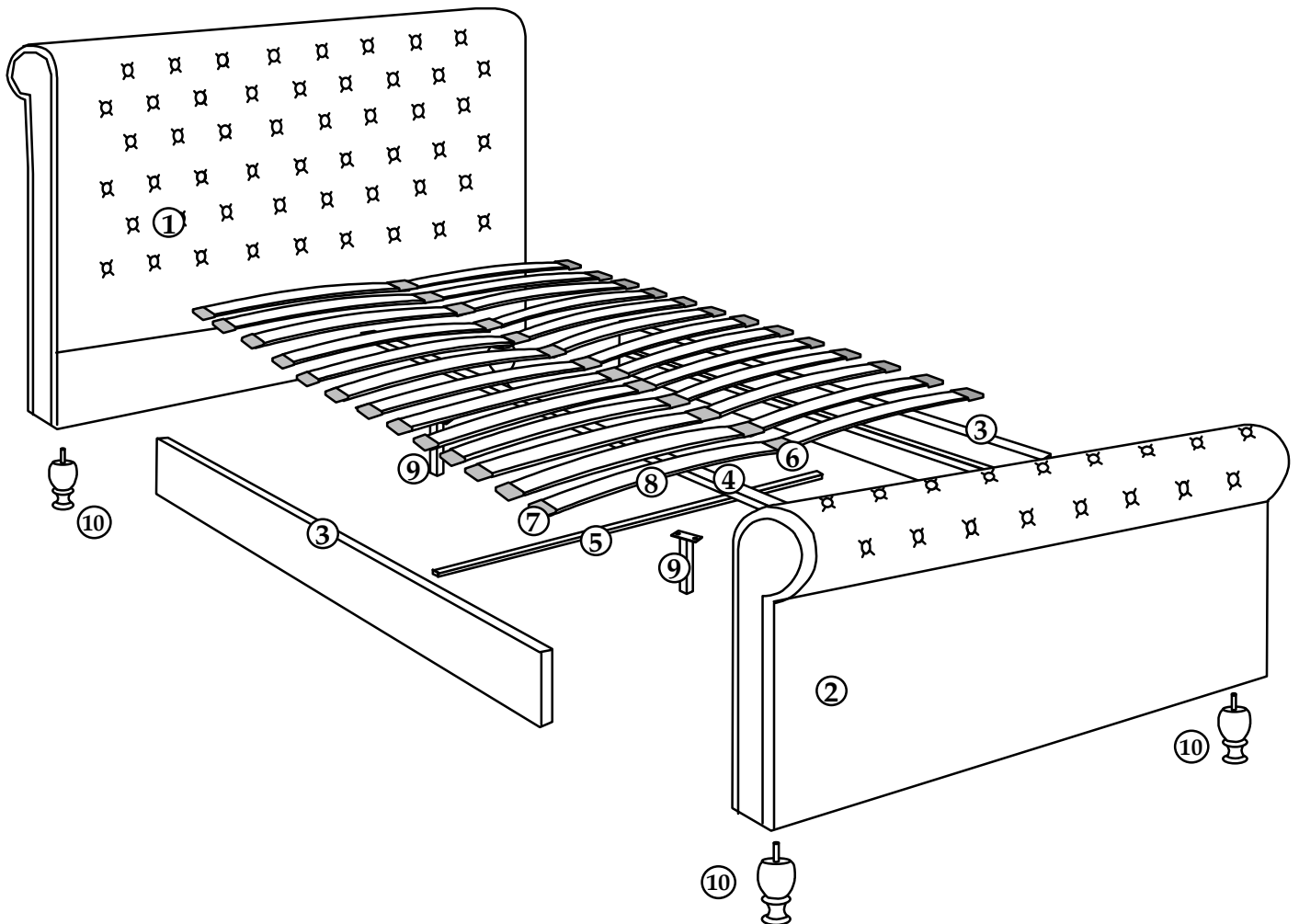


**G**

Spanner  
x 1pc

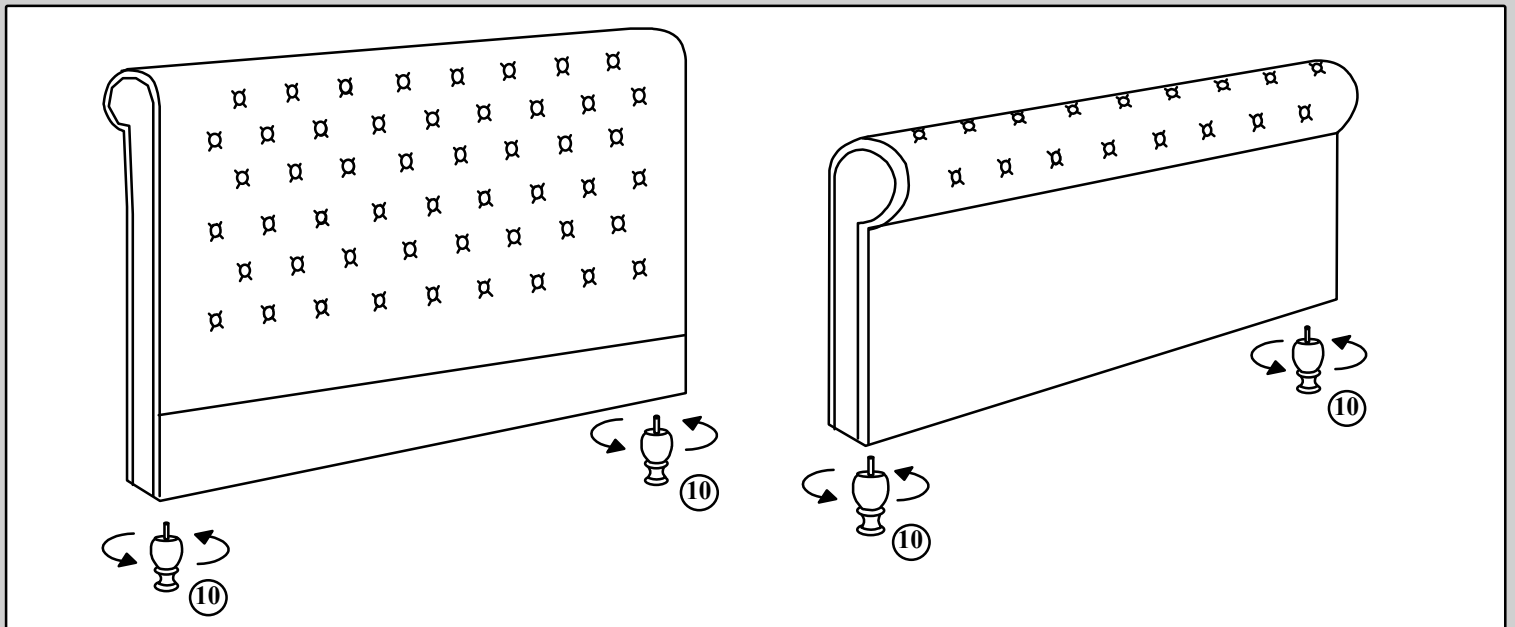


# PART

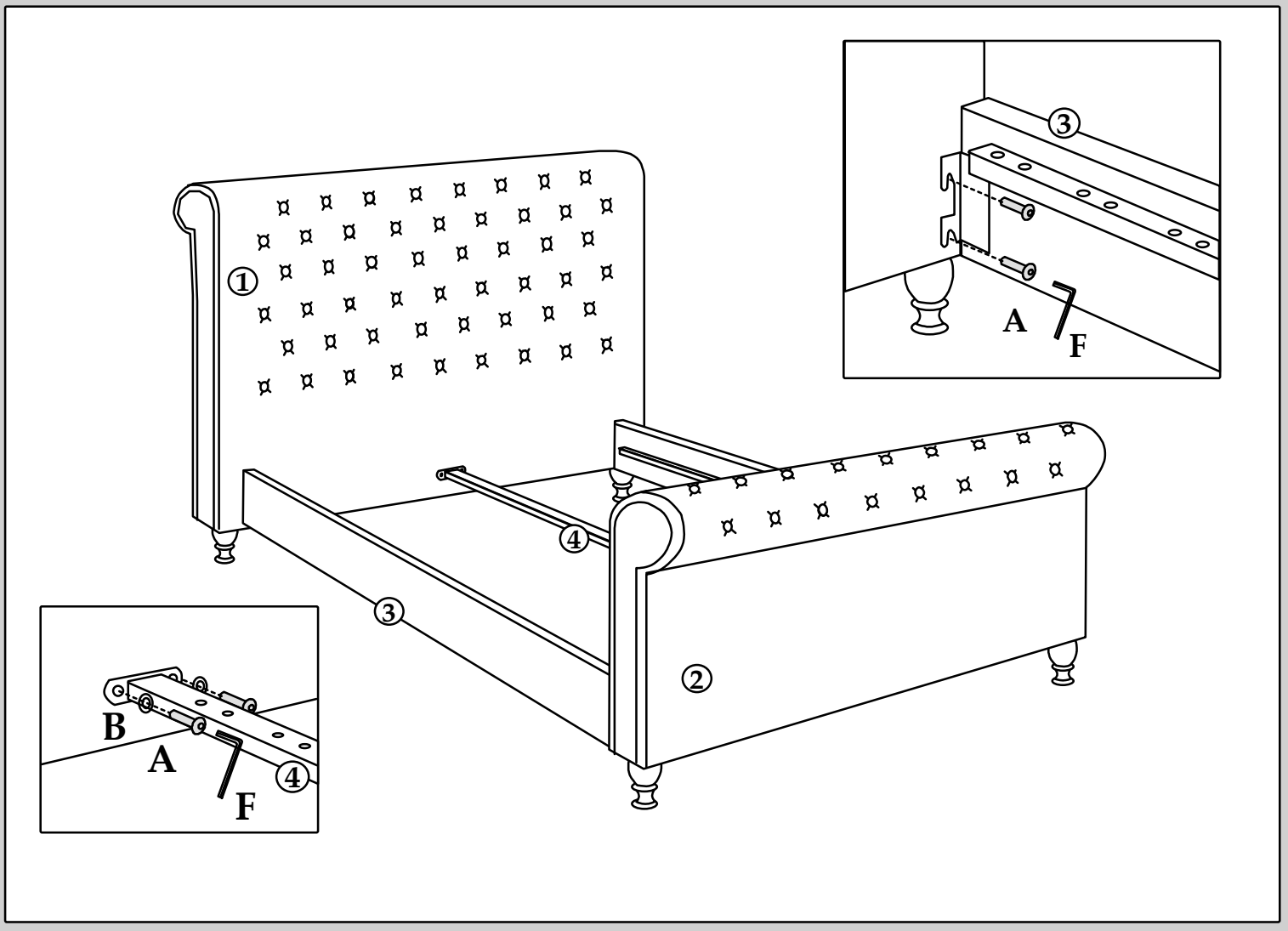


# 1 Screw in the wooden legs to headend and footend.

3

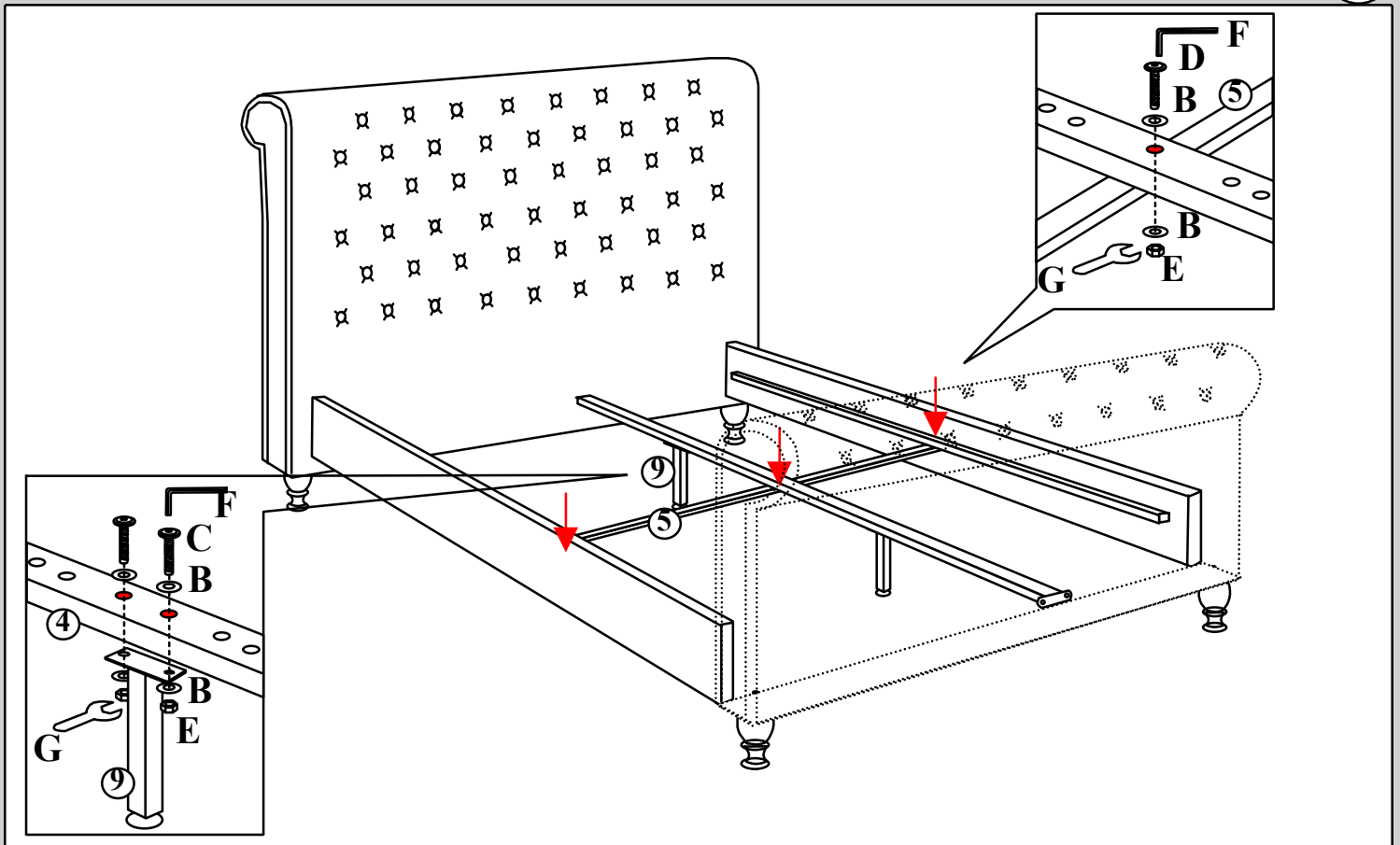


# 2 Attach the siderails and centre rail to the bedend.

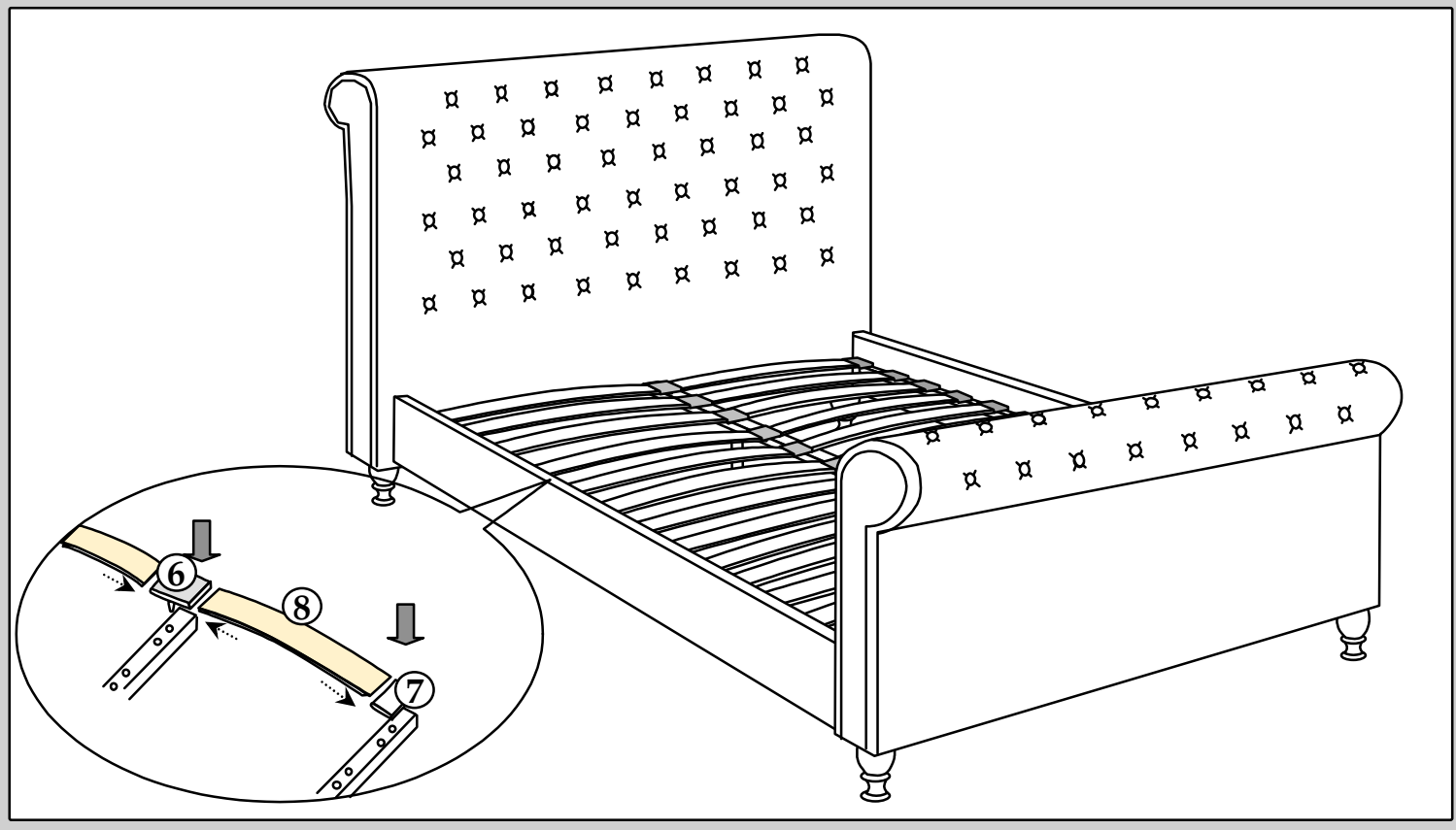


### 3 Attach across rail and support legs to the base.

4



### 4 Align the pins on the Holders to the holes along the Centre Rail and the Siderails. Gently tap them into the holes using hand palm.



- **Retightening of all fixing periodically is recommended.**
  
- **When moving your fully assembled bed you must first remove the mattress and lift the frame into position, take care when lifting and always have two people handling the bed. PLEASE DO NOT DRAG THE BED as this will cause damage to the rail.**
  
- **It is advisable to use approved cleaning products when cleaning the furniture and bed frame as certain chemical based cleaners could have an adverse effect on the bed finish.**
  
- **If any queries, please contact your seller.**