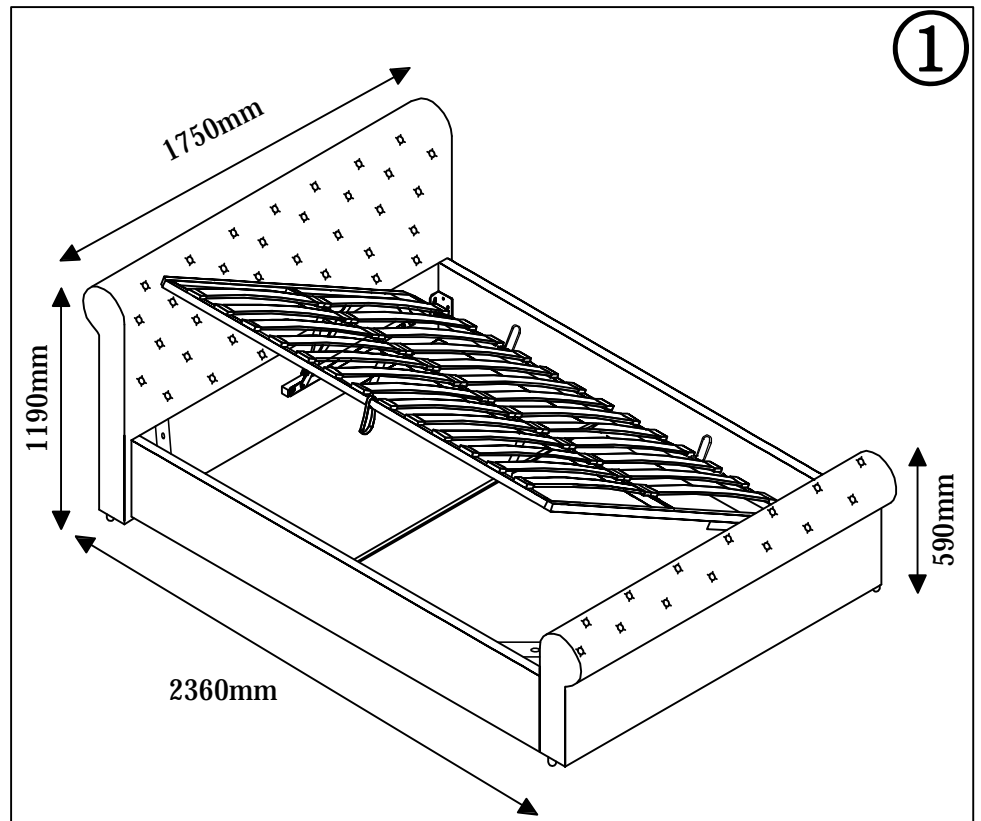


20  
mins

Approximate  
Assembly Time

Two persons are  
recommended to  
assemble this product



# Selina Side 5' Bed

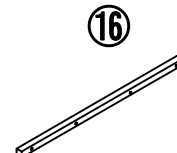
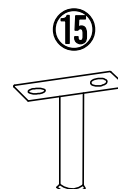
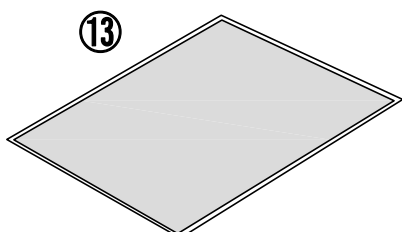
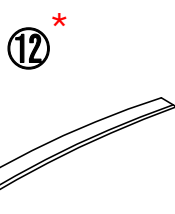
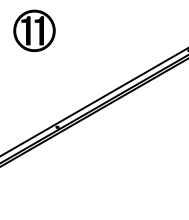
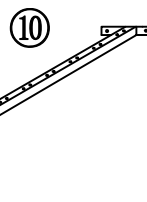
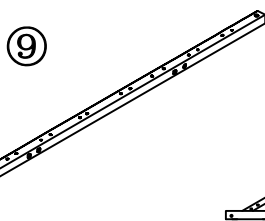
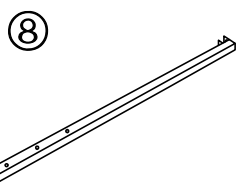
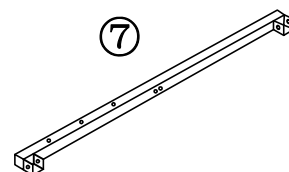
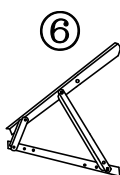
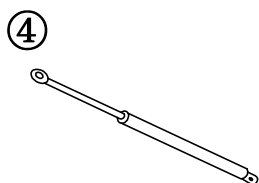
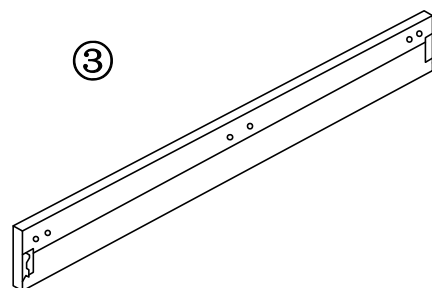
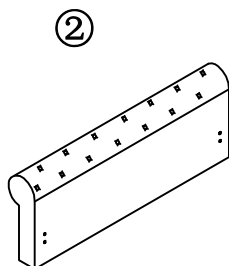
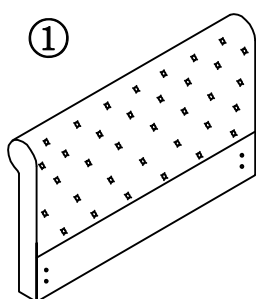


## BEFORE STARTING...

- Read the assembly instructions carefully before beginning assembly.
- Check and ensure that you have all parts and fittings for complete assembly.
- Choose a clean, level, spacious assembly area. Hard surfaces may damage the product.
- The packaging and contents can be a choking hazard, therefore keep out of reach of small children at all times.
- Do not over tighten the bolts as this may damage the thread.

# PART

②



\* Packed within the back of the headboard.

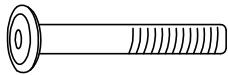
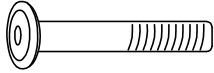
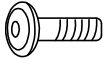
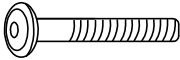
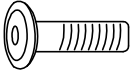


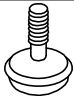

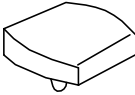
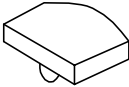



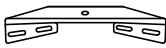

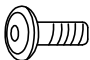
Before starting assembly, ensure that you have received all parts listed.

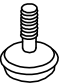
Box 1		
Part	Description	Qty
1	Headboard	1
2	Footboard	1
12	Wooden Slats	28
13	Velcro Base Sheet	1

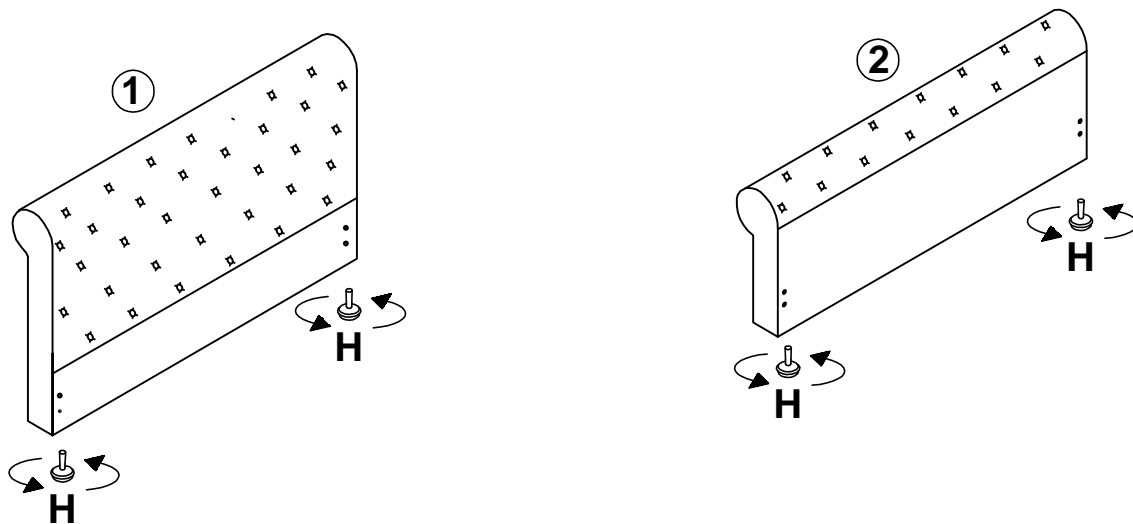
Box 2		
Part	Description	Qty
3	Siderail (Left and Right)	2
4	Cylinder	2
5	Mattress Support	2
6	Gas Lift	2
7	Base Bar Left	1
8	Base Bar Right	1
9	Base Side Bar	2
10	Base Centre Bar	1
11	Across Bar	1
14	Base Support Bar	2
15	Centre Leg Support	2
16	Hinge Support Rail	2


# HARDWARE

③

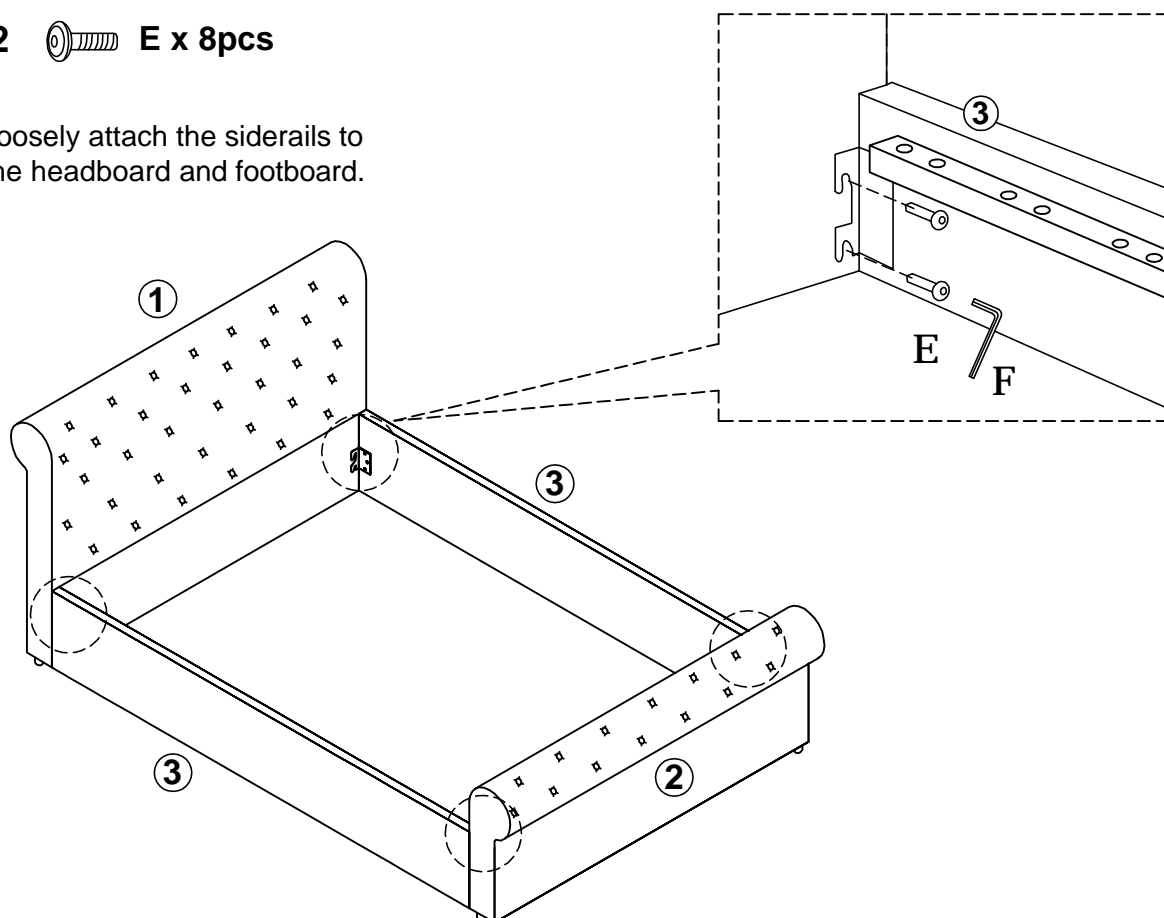
Part	Diagram	Description	Qty
A		$\frac{5}{16}$ x 60mm Bolt	3
B		$\frac{5}{16}$ x 45mm Bolt	12
C		$\frac{1}{4}$ x 20mm Bolt	14
D		$\frac{1}{4}$ x 60mm Bolt	8
E		$\frac{5}{16}$ x 25mm Bolt	8
F		M8 Washer	38
G		Zinc Nut	15
H		Adjustable Feet	4
I		Base Lift Strap	1
J		Plastic Centre Cap	14
K		Plastic End Cap	28
L		M6 Allen Key	1
M		M8 Allen Key	1
N		Spanner	1
O		Corner Bracket	2
P		100 x 25mm EVA Pad	4
Q		$\frac{1}{4}$ x 15mm Bolt	8

**STEP 1**  **H x 4pcs**




**STEP 2**  **E x 8pcs**

Loosely attach the siderails to the headboard and footboard.



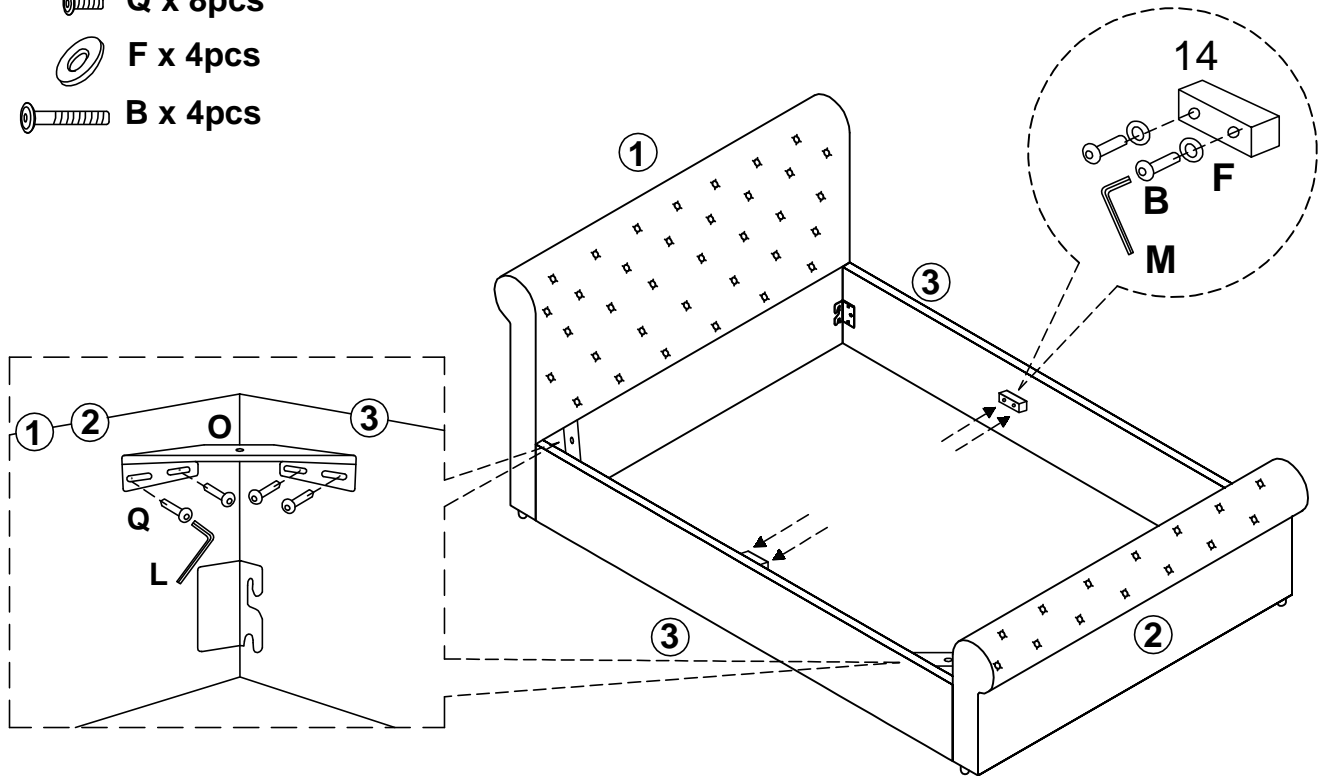
**STEP 3**

 Q x 8pcs

 F x 4pcs

 B x 4pcs

**OPTION A**  
LEFT HAND OPENING



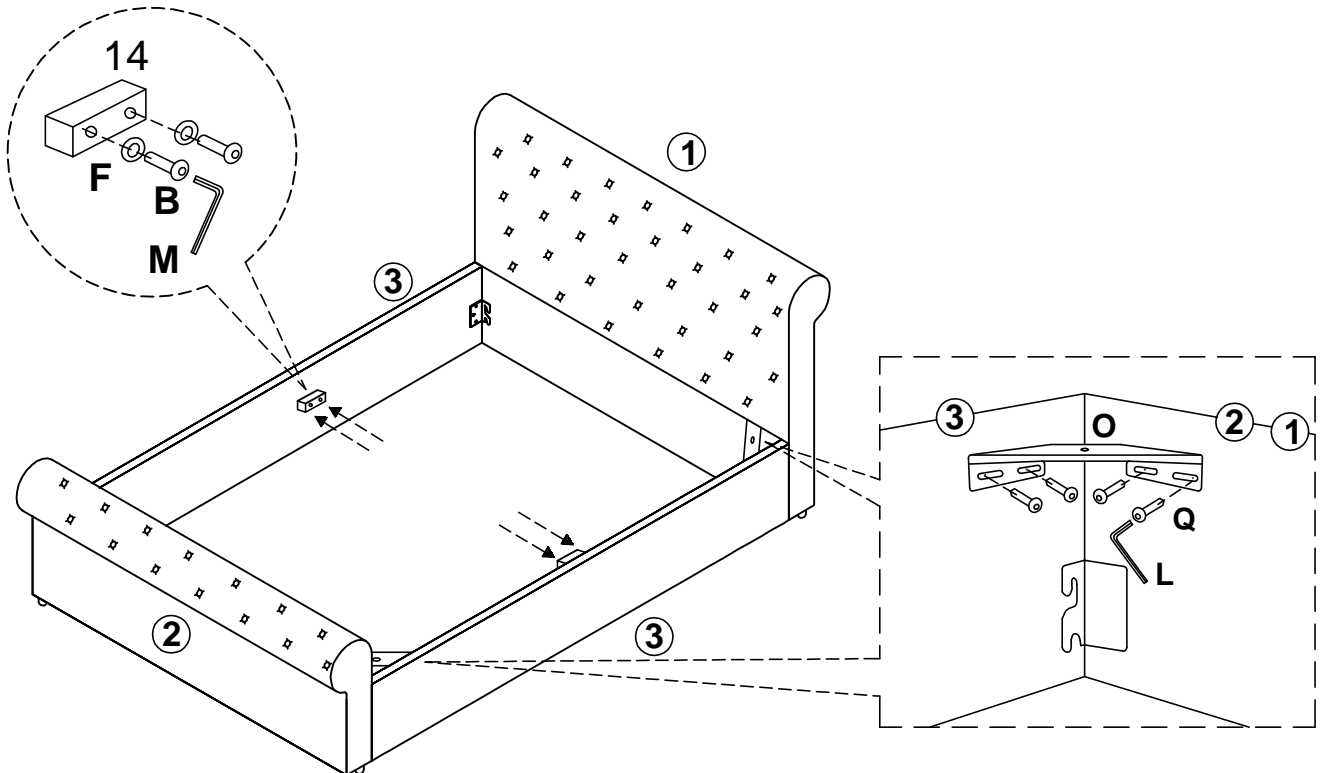
**STEP 3**

 Q x 8pcs

 F x 4pcs

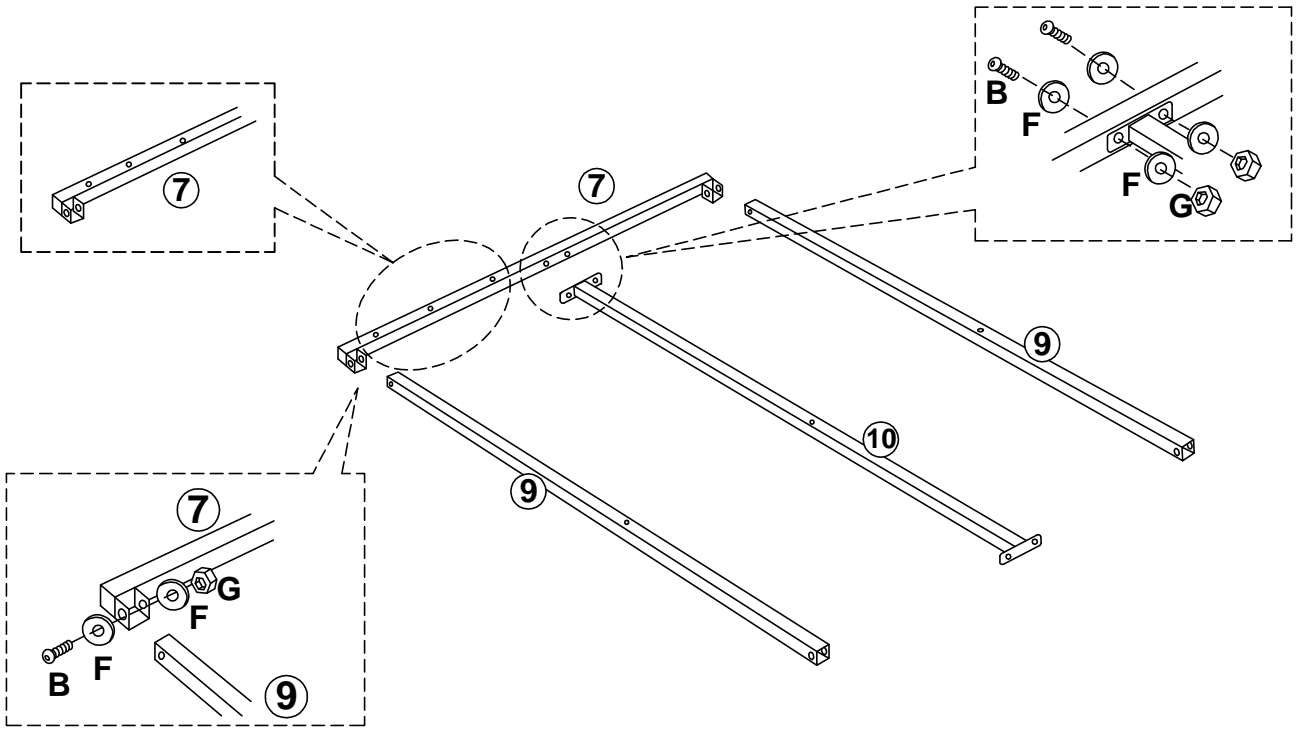
 B x 4pcs

**OPTION B**  
RIGHT HAND OPENING

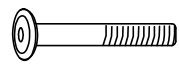





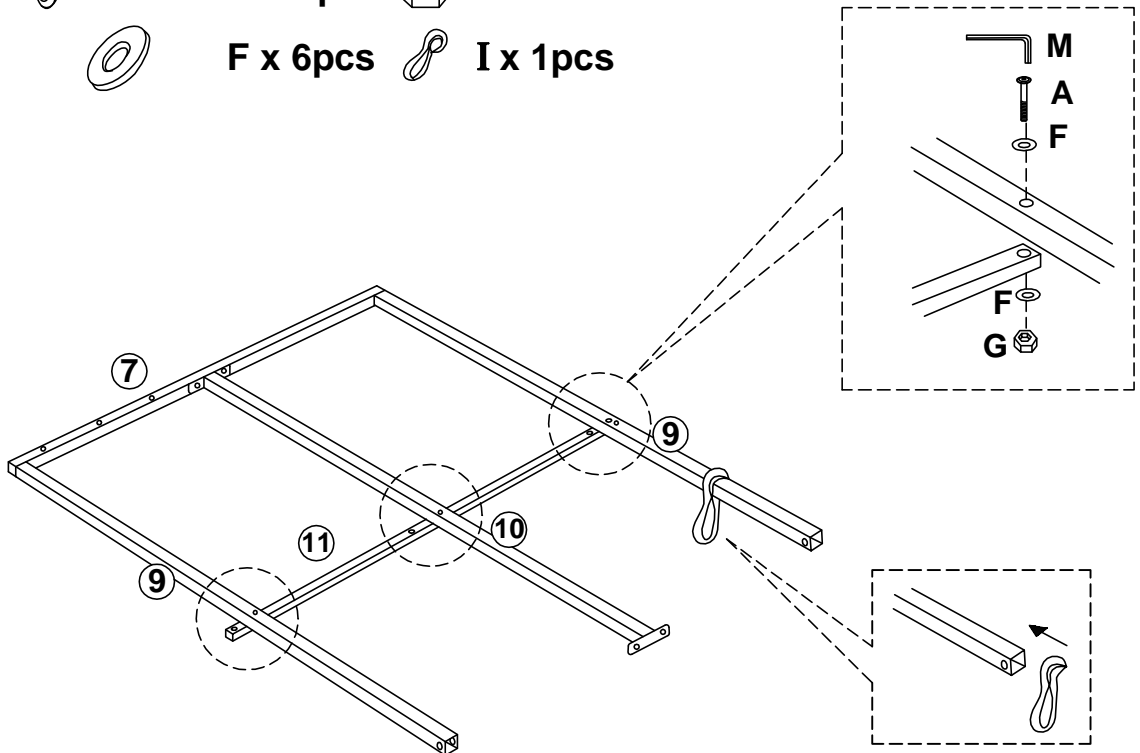
STEP 4


 B x 4pcs    F x 8pcs    G x 4pcs

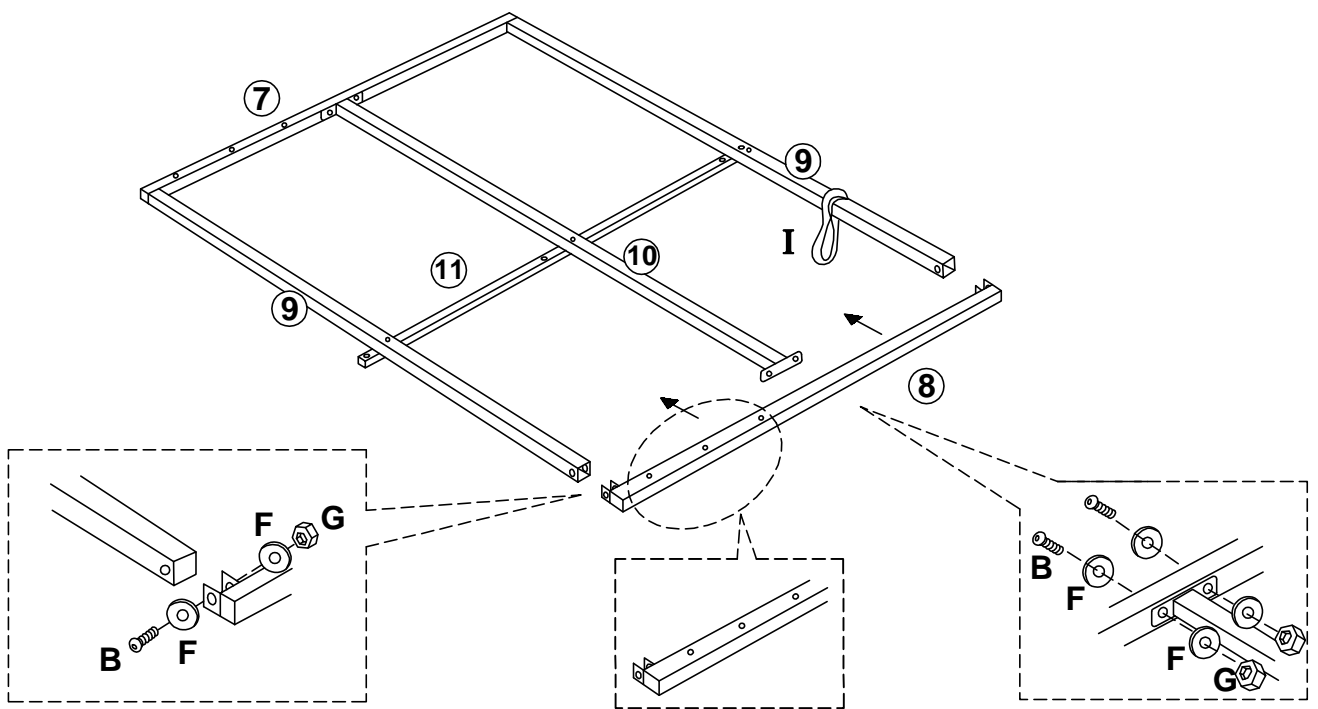


STEP 5

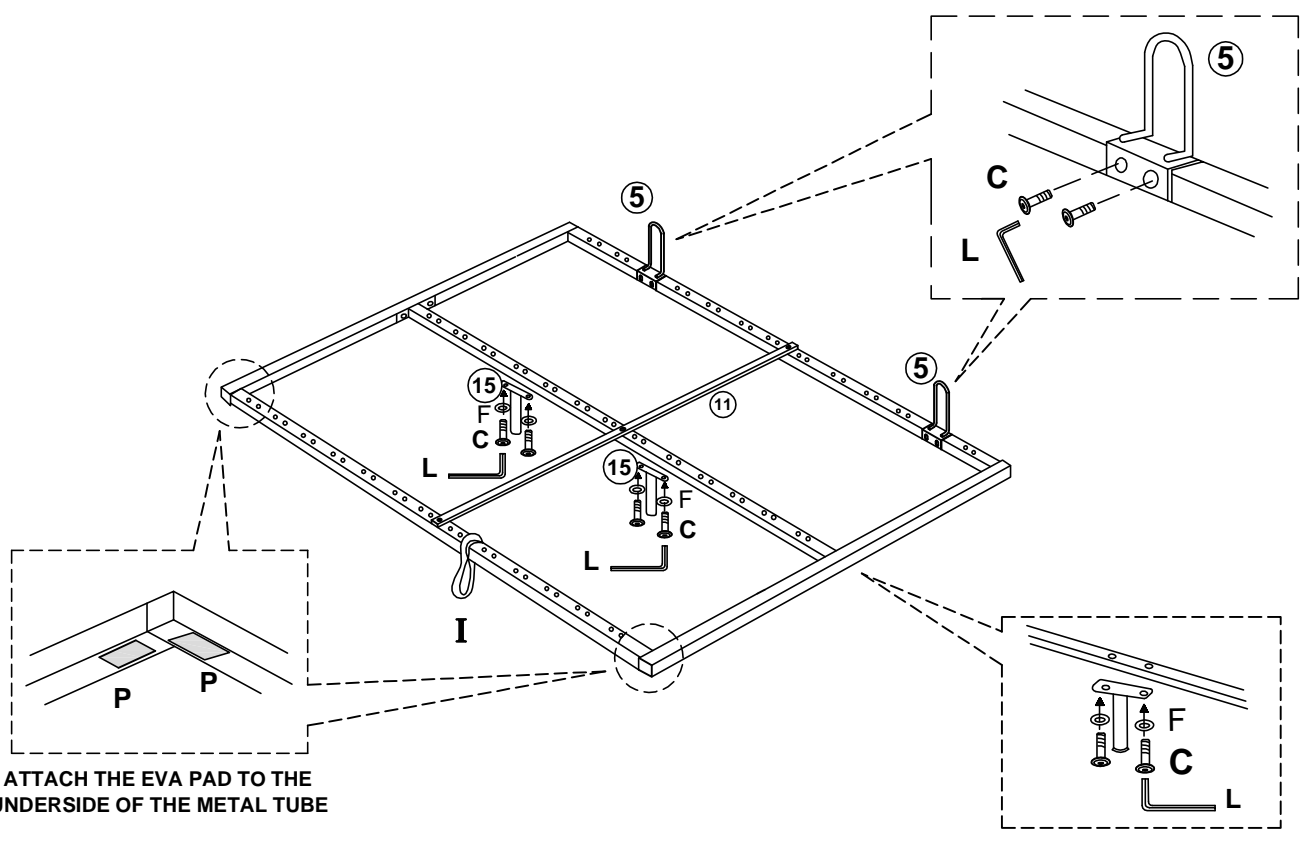
 A x 3pcs    G x 3pcs  
 F x 6pcs    I x 1pcs



STEP 6  B x 4pcs  G x 4pcs  F x 8pcs

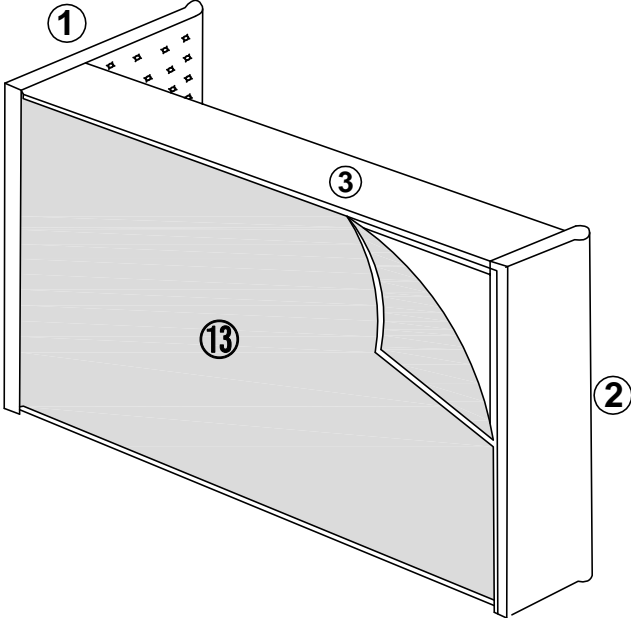


STEP 7  C x 8pcs  F x 4pcs  P x 4pcs

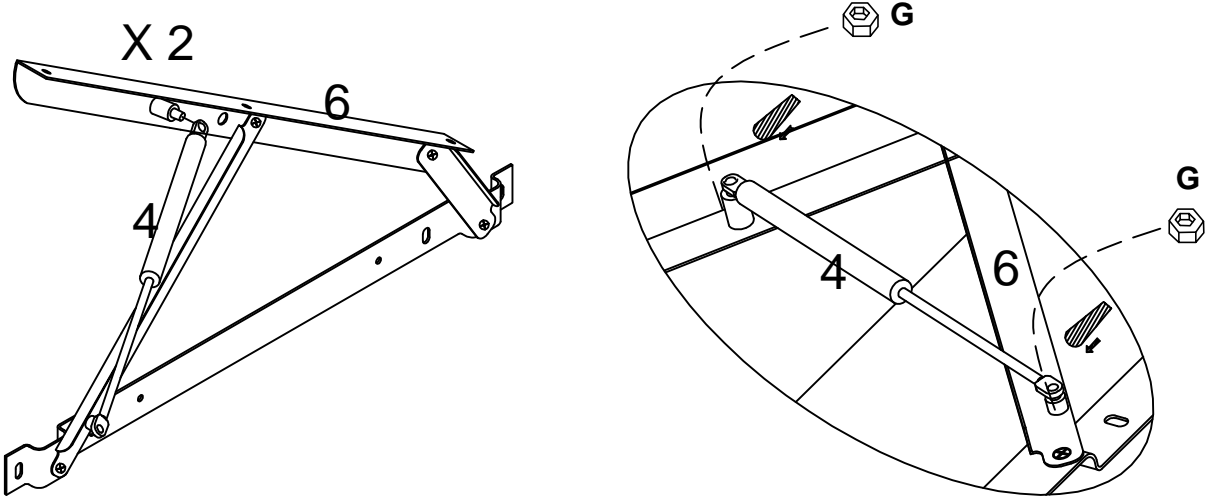


ATTACH THE EVA PAD TO THE UNDERSIDE OF THE METAL TUBE

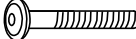

STEP 8



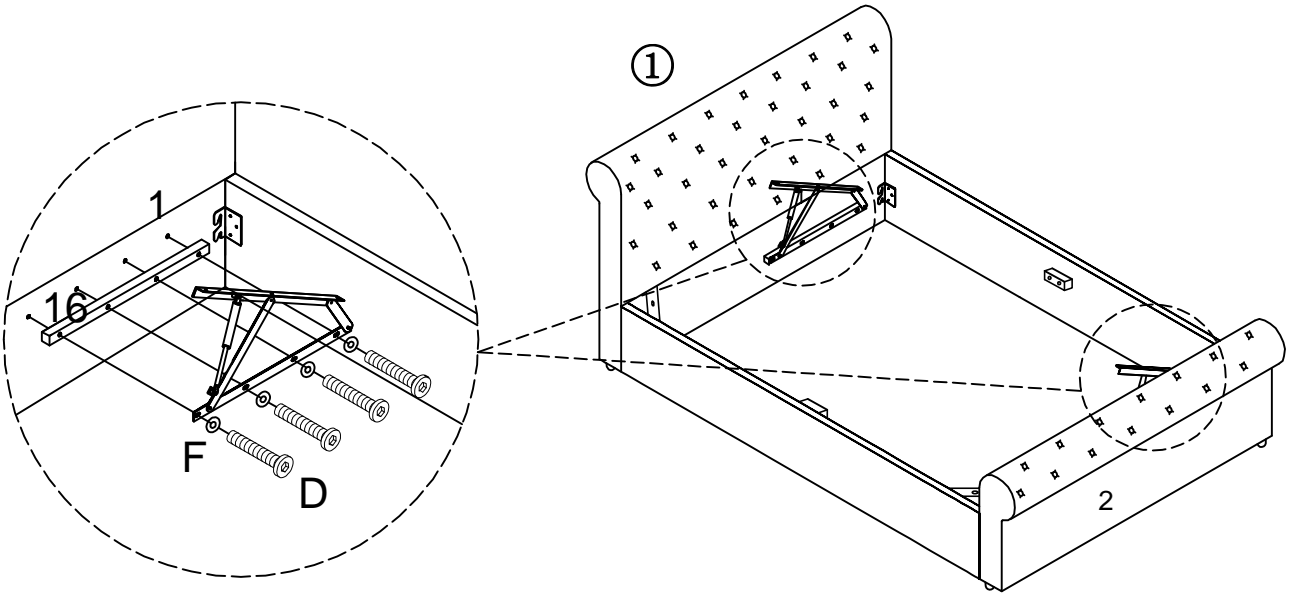
STEP 9  G x 4pcs

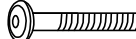





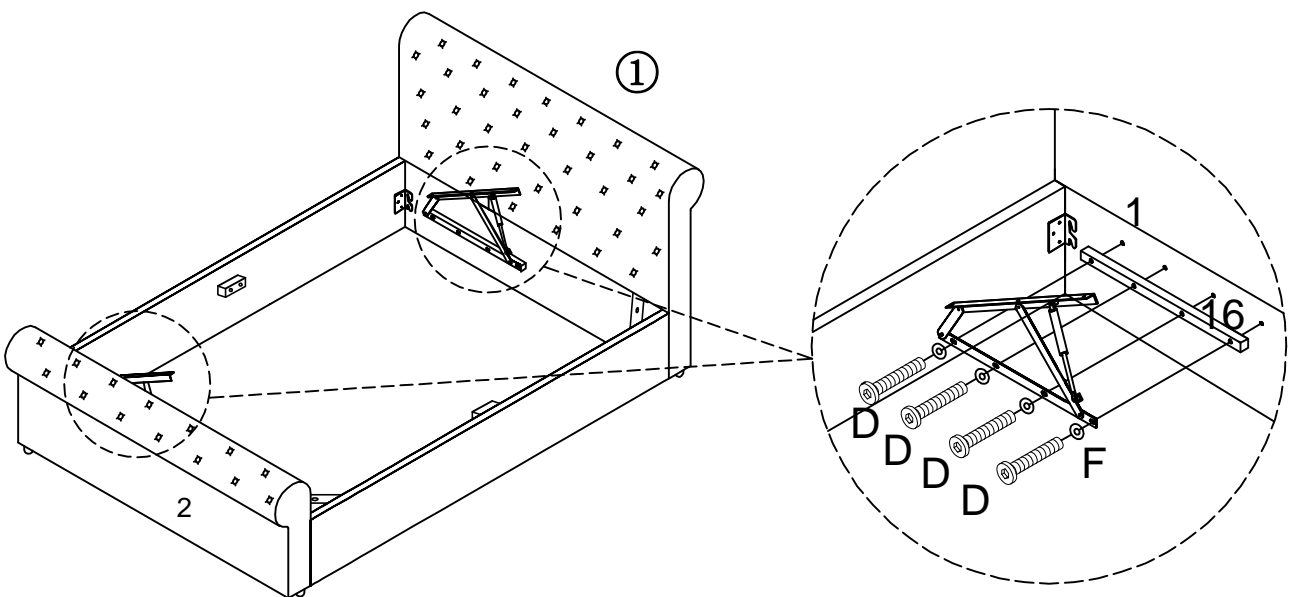
**STEP 10**  D x 8pcs  
 F x 8pcs

**OPTION A**  
LEFT HAND OPENING



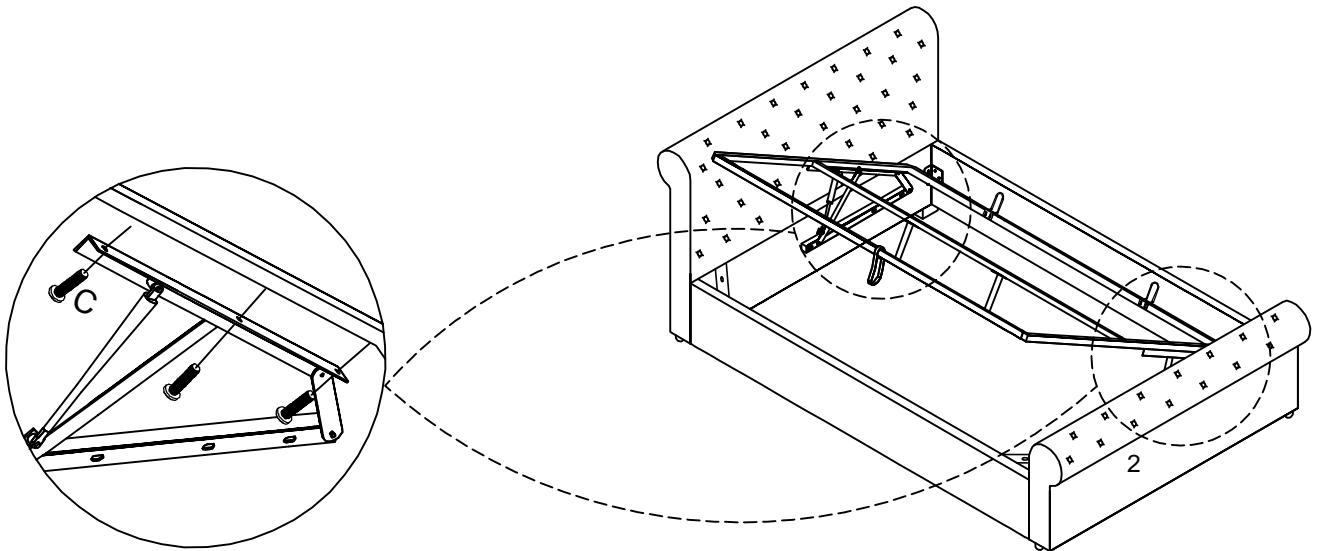
**STEP 10**  D x 8pcs  
 F x 8pcs

**OPTION B**  
RIGHT HAND OPENING



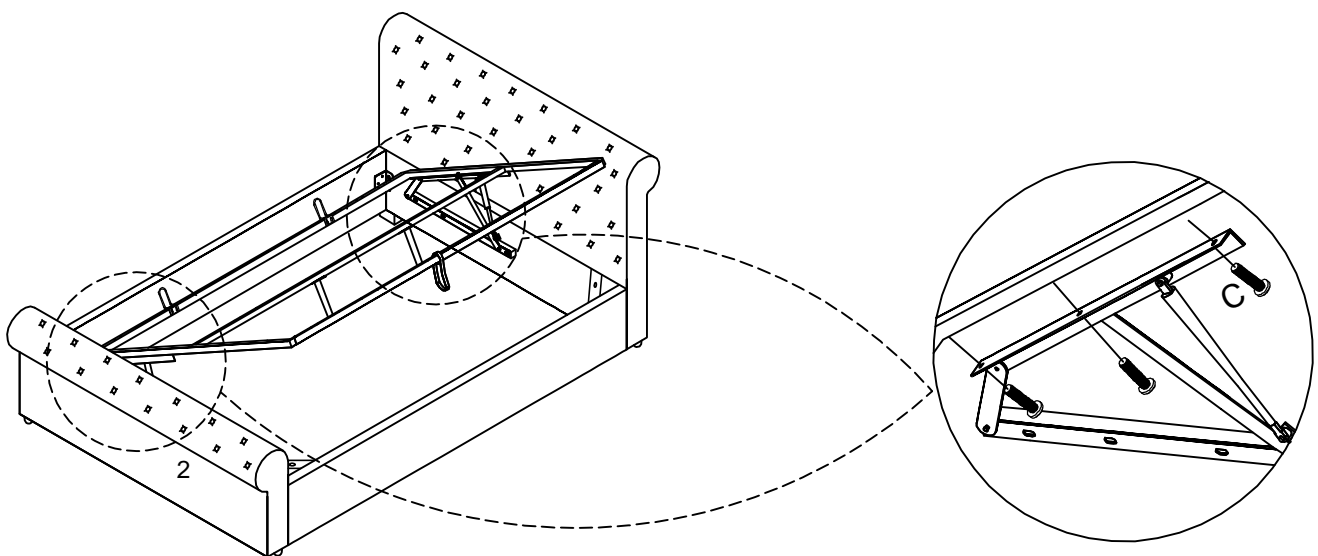
STEP 11  C x 6pcs

**OPTION A**  
LEFT HAND OPENING

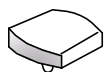


STEP 11  C x 6pcs

**OPTION B**  
RIGHT HAND OPENING



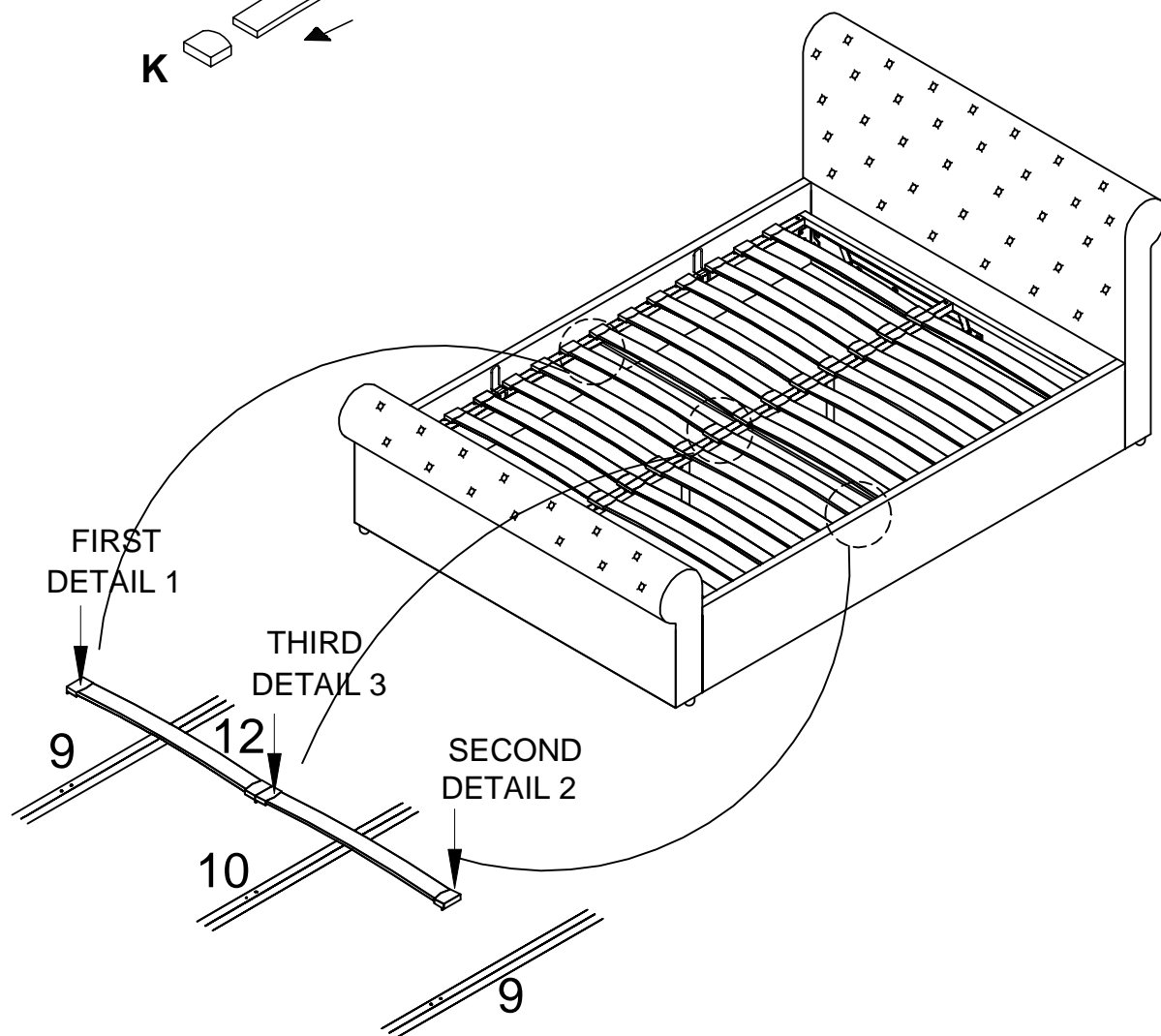
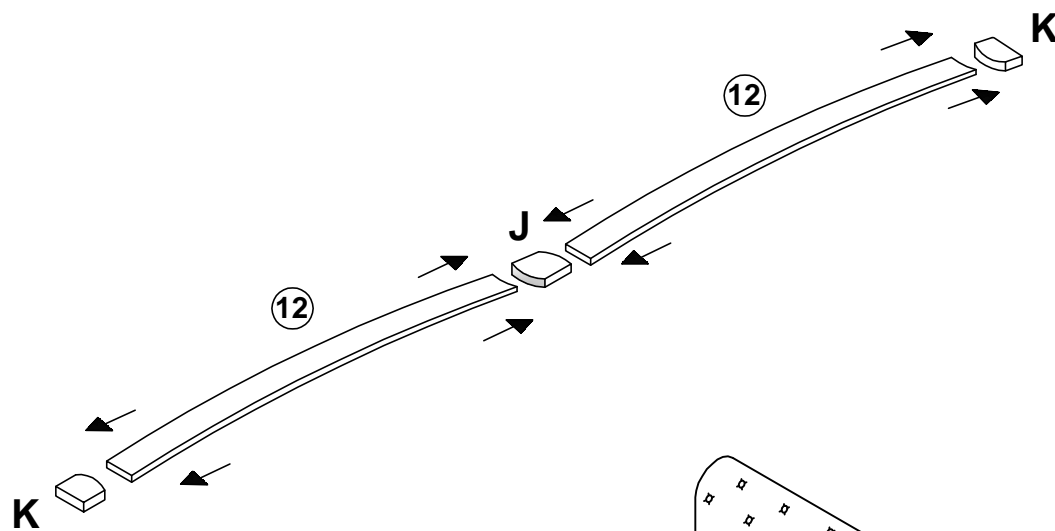
STEP 12



J x 14pcs



K x 28pcs



COMPLETED !

- **Retightening of all fixing periodically is recommended.**
  
- **When moving your fully assembled bed you must first remove the mattress and lift the frame into position, take care when lifting and always have two people handling the bed. PLEASE DO NOT DRAG THE BED as this will cause damage to the rail.**
  
- **It is advisable to use approved cleaning products when cleaning the furniture and bed frame as certain chemical based cleaners could have an adverse effect on the bed finish.**
  
- **If any queries, please contact your seller.**