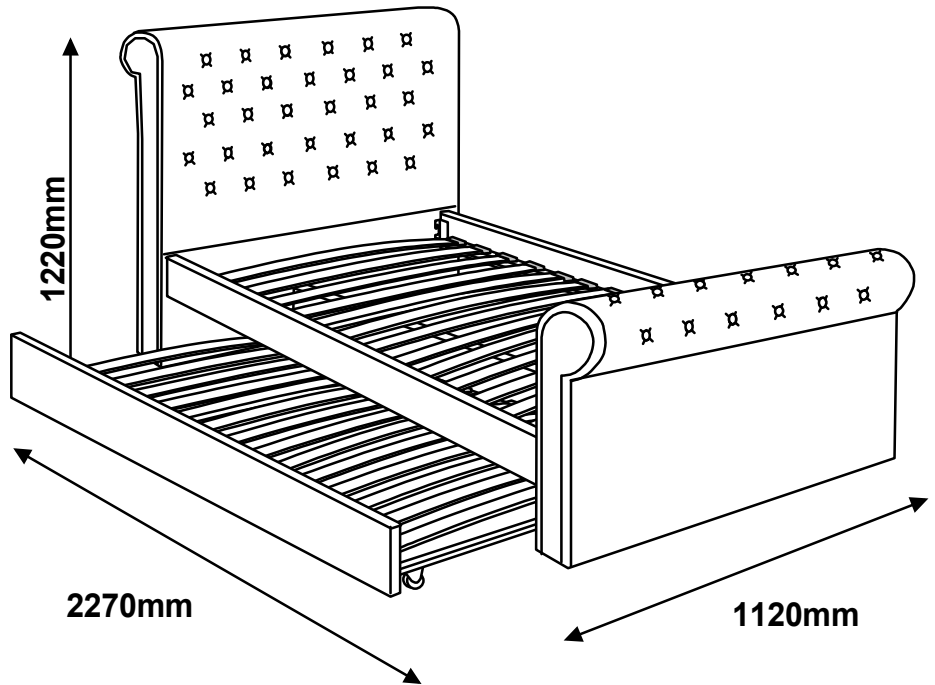


20
mins

**Approximate
Assembly Time**

**Two persons are
recommended to
assemble this product**



Selina 3' Bed with Trundle



BEFORE STARTING...

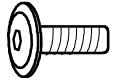
- **Read the assembly instructions carefully before beginning assembly.**
- **Check and ensure that you have all parts and fittings for complete assembly.**
- **Choose a clean, level, spacious assembly area. Hard surfaces may damage the product.**
- **The packaging and contents can be a choking hazard, therefore keep out of reach of small children at all times.**
- **Do not over tighten the bolts as this may damage the thread.**

HARDWARE

2

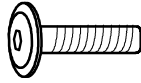
A

M8 x 15mm
x 12pcs



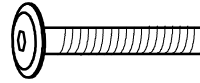
B

M8 x 25mm
x 8pcs



C

M8 x 40mm
x 4pcs



D

Washer
x 12pcs



E

Hex Nut
x 4pcs



F

Allen Key
x 1pc



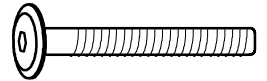
G

Spanner
x 1pc

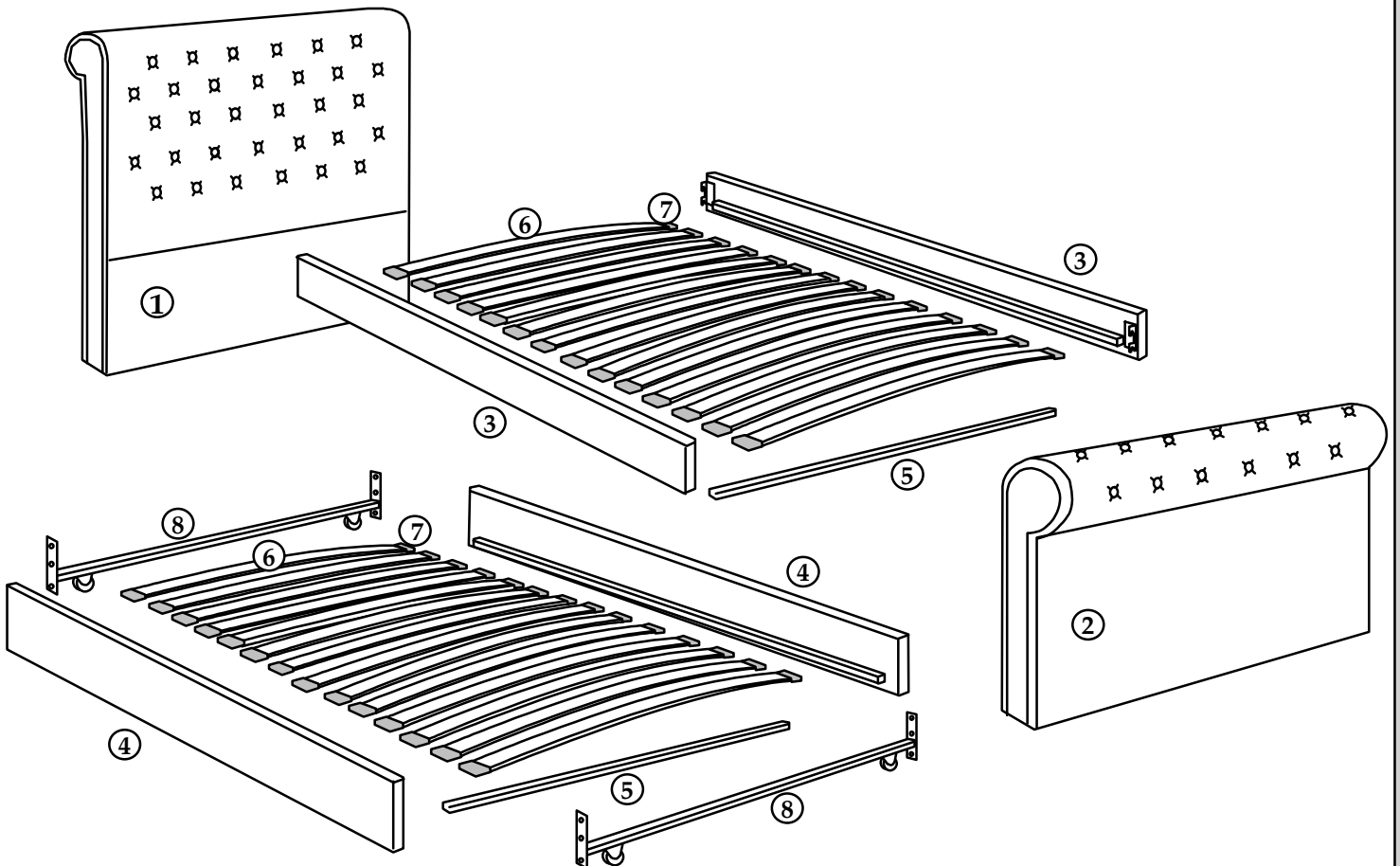


H

M8 x 60mm
x 2pcs

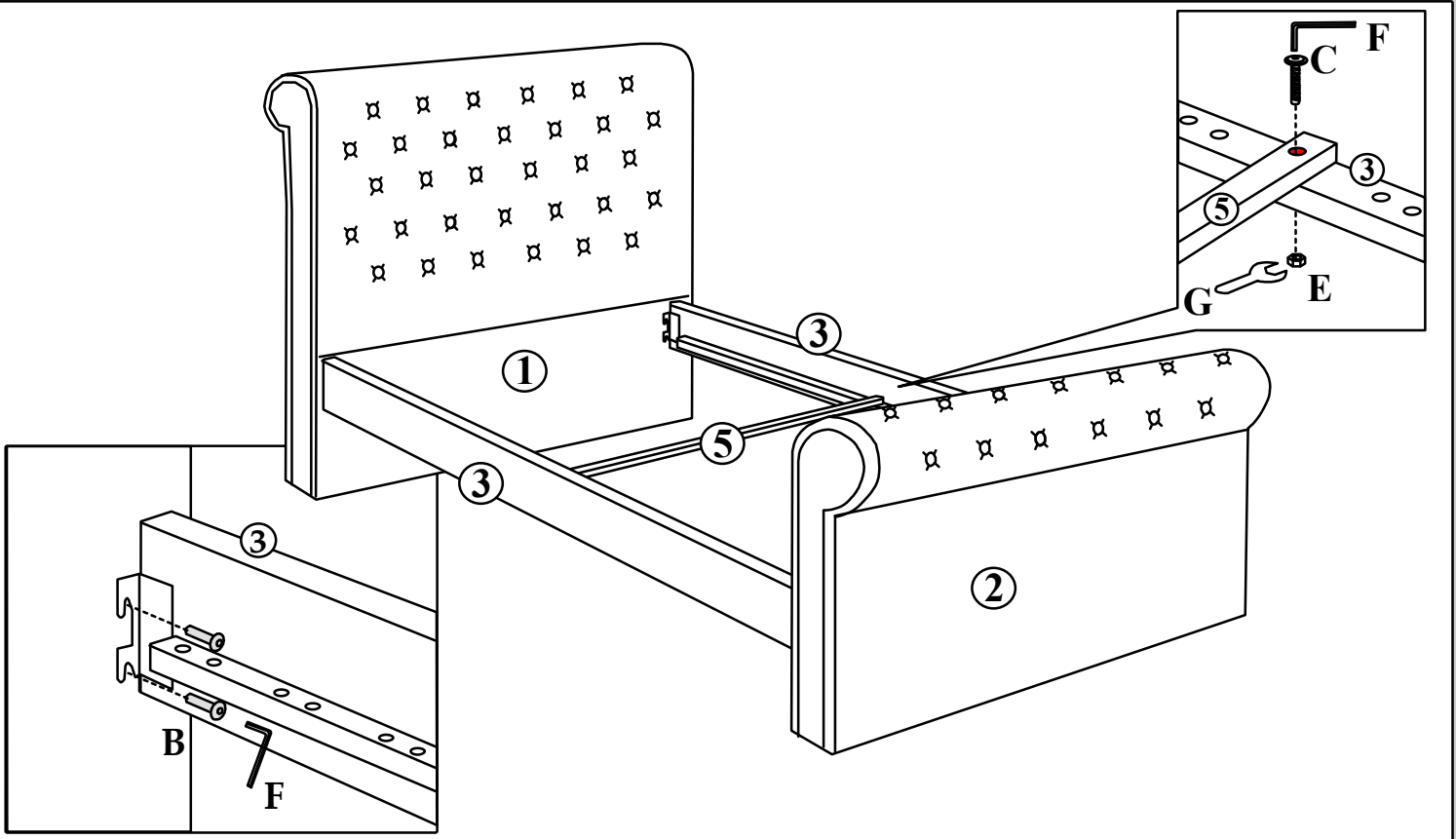


PART

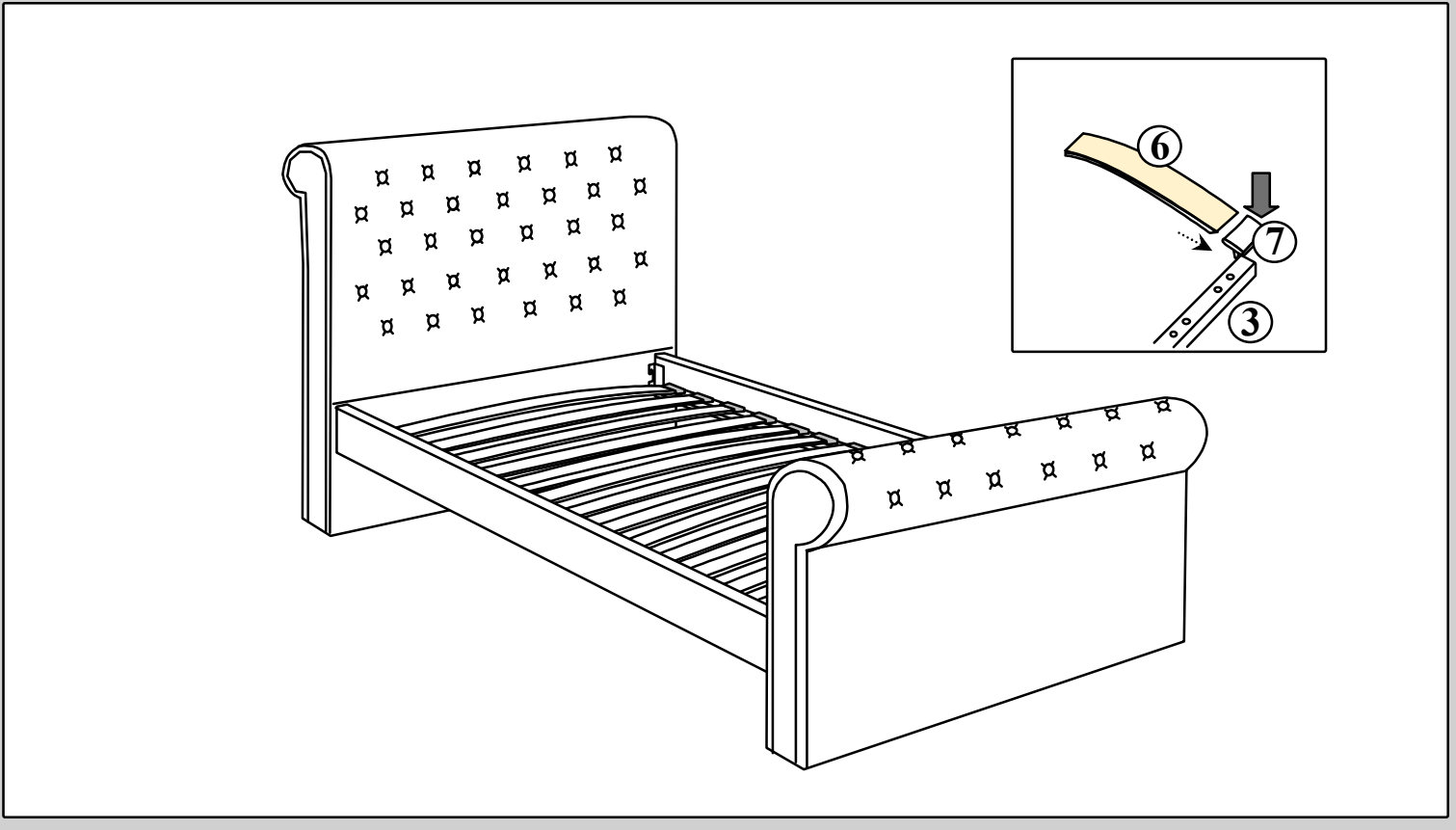


1 Attach the siderails to the bedend. Followed by the across rail to the siderails.

3

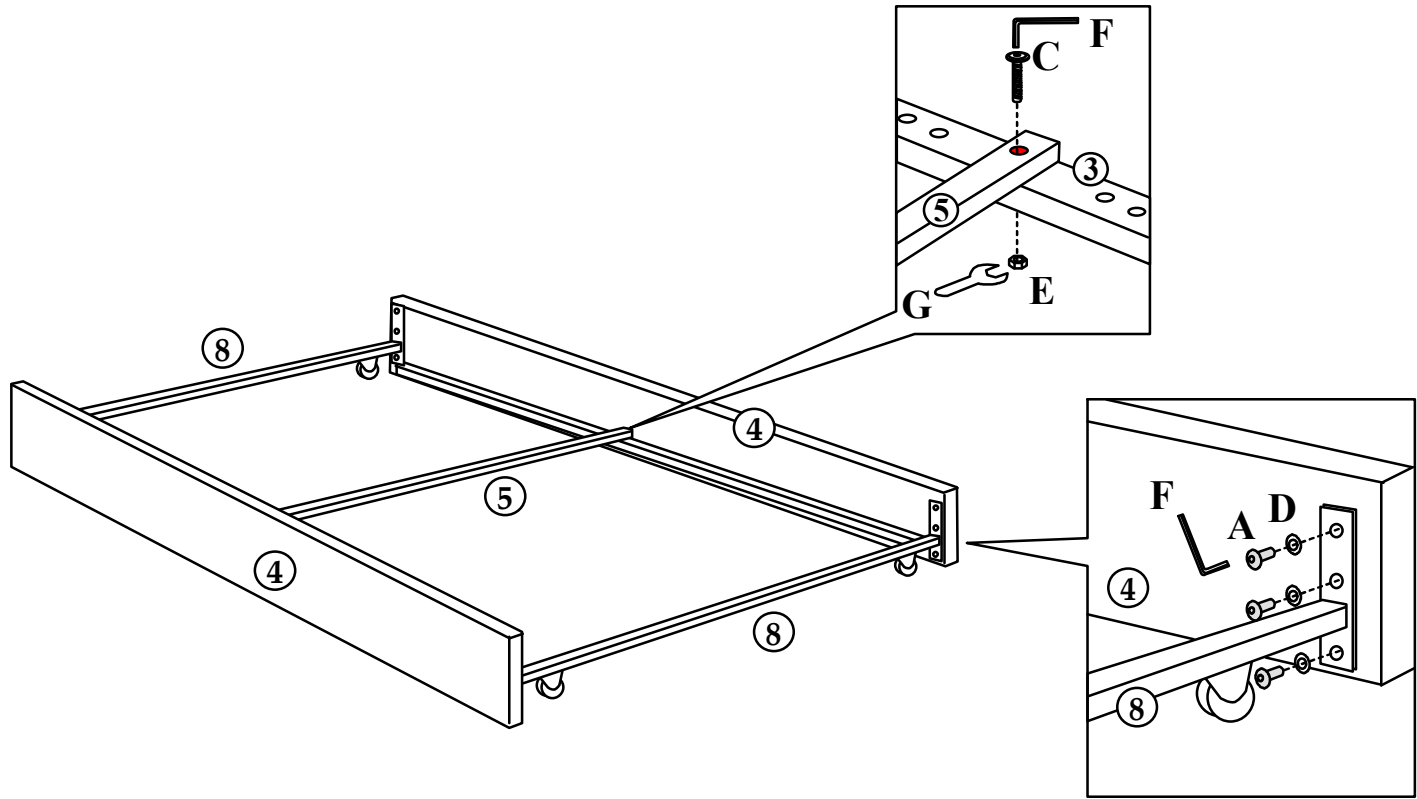


2 Align the pins on the holders to the holes along the siderails. Gently tap them into the holes using hand palm.

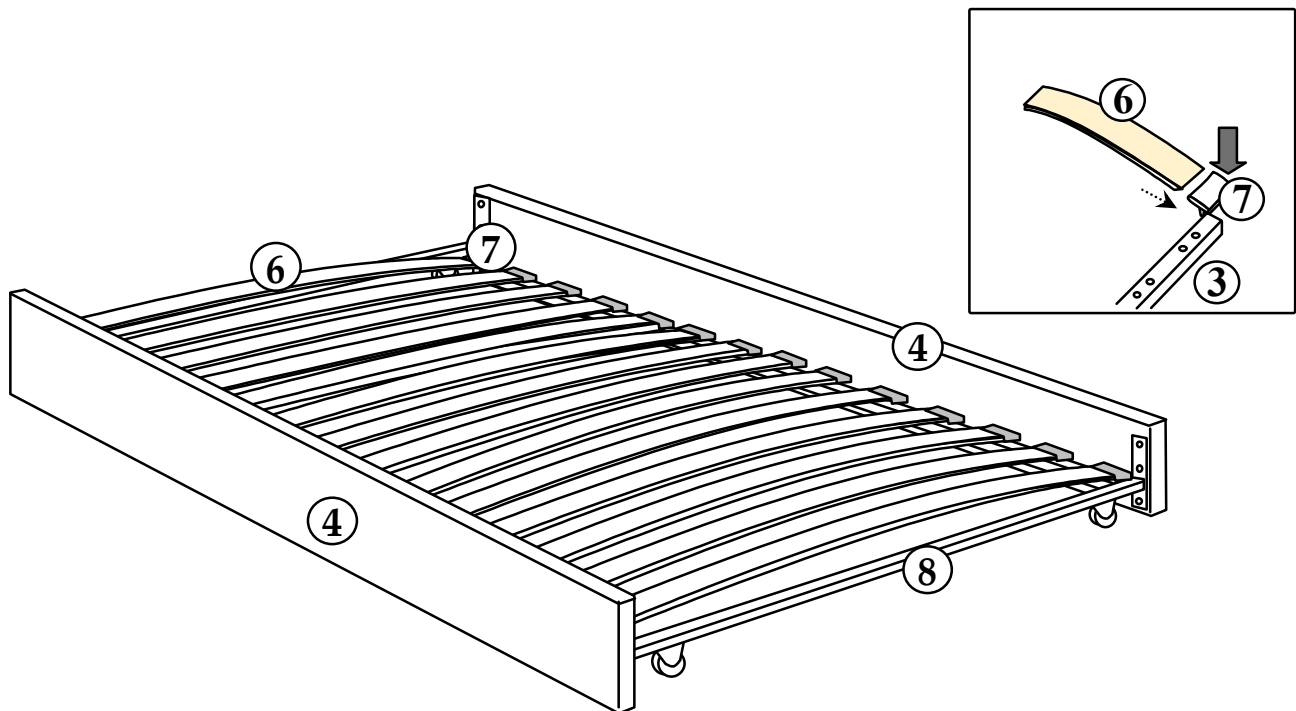


3 Attach cross rails to the trundle siderails.

4

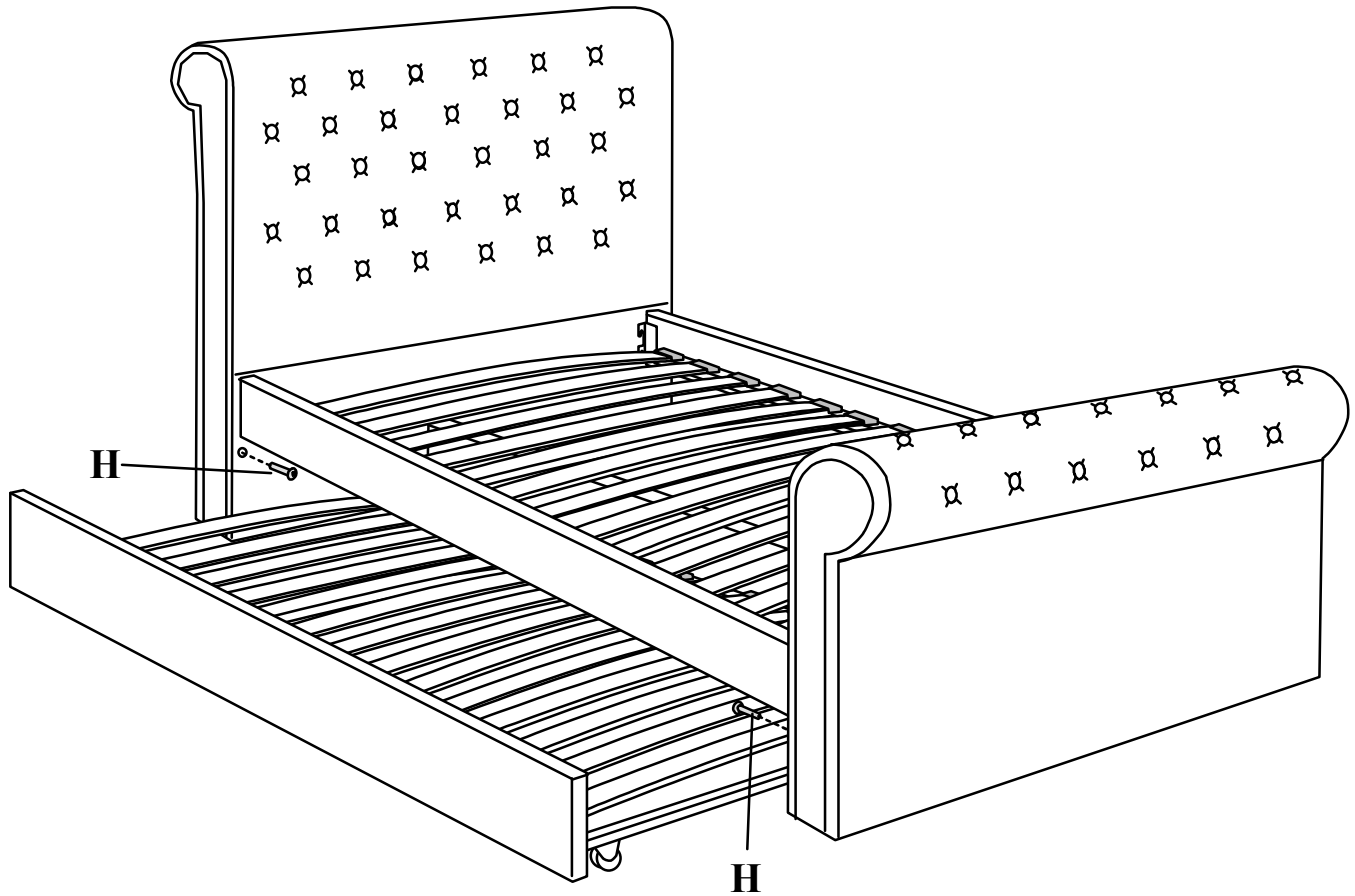


4 Align the pins on the holders to the holes along the trundle siderails. Gently tap them into the holes using hand palm.



5 Use screws provided as trundle baffle (Optional step)

5



- Retightening of all fixing periodically is recommended.
- When moving your fully assembled bed you must first remove the mattress and lift the frame into position, take care when lifting and always have two people handling the bed. **PLEASE DO NOT DRAG THE BED** as this will cause damage to the rail.
- It is advisable to use approved cleaning products when cleaning the furniture and bed frame as certain chemical based cleaners could have an adverse effect on the bed finish.
- If any queries, please contact your seller.