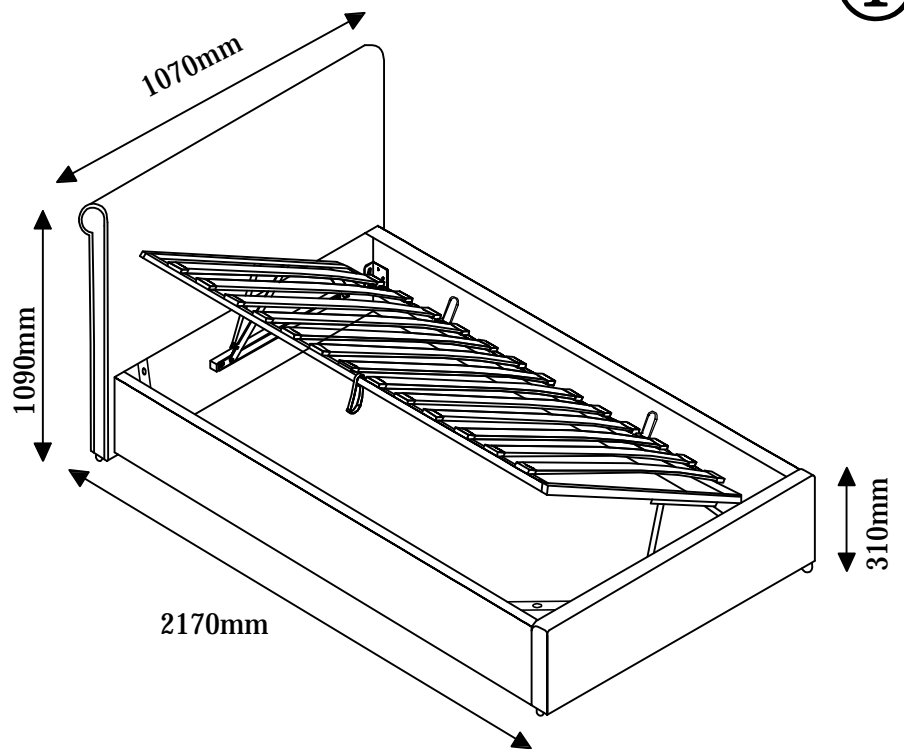


20
mins

Approximate
Assembly Time

Two persons are
recommended to
assemble this product



Rome Side 3' Bed

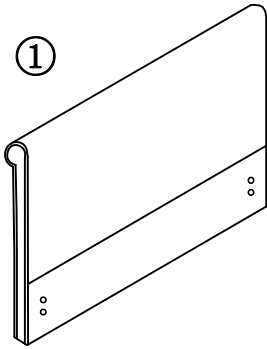


BEFORE STARTING...

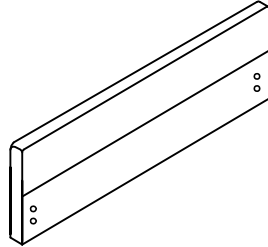
- Read the assembly instructions carefully before beginning assembly.
- Check and ensure that you have all parts and fittings for complete assembly.
- Choose a clean, level, spacious assembly area. Hard surfaces may damage the product.
- The packaging and contents can be a choking hazard, therefore keep out of reach of small children at all times.
- Do not over tighten the bolts as this may damage the thread.

PART

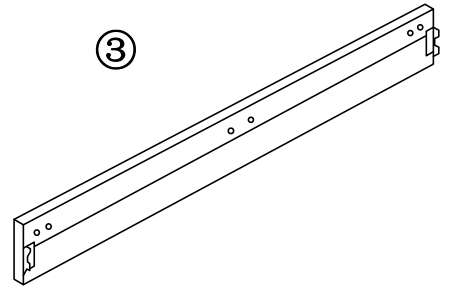
②



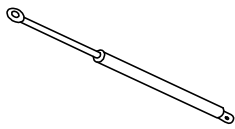
②



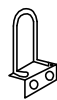
③



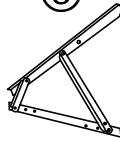
④



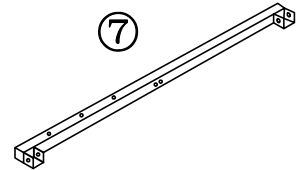
⑤



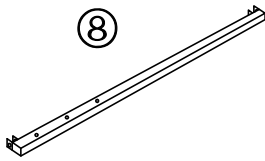
⑥



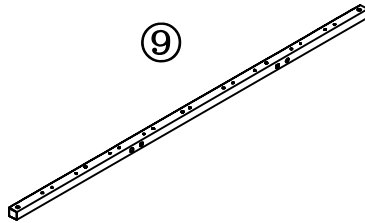
⑦



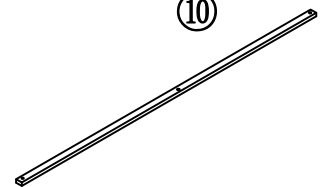
⑧



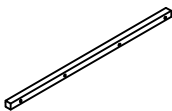
⑨



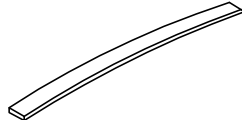
⑩



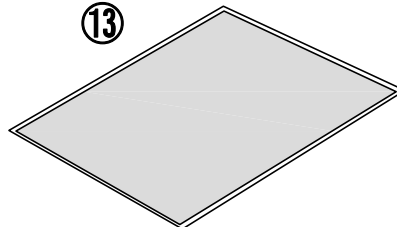
⑪



⑫*



⑬



⑭



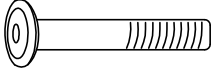
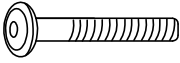
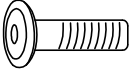

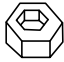
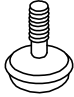
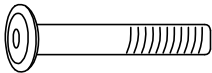
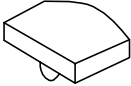

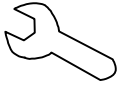
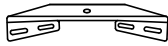

* Packed within the back of the headboard.

Before starting assembly, ensure that you have received all parts listed.

Box 1			Box 2		
Part	Description	Qty	Part	Description	Qty
1	Headboard	1	7	Base Bar Left	1
2	Footboard	1	8	Base Bar Right	1
12	Wooden Slats	13	9	Base Side Bar	2
13	Velcro Base Sheet	1	10	Across Bar	1
Box 2			11	Hinge Support Rail	2
3	Siderail (Left and Right)	2	14	Base Support Bar	2
4	Cylinder	2		Hardware Box	1
5	Mattress Support	2			
6	Gas Lift	2			

HARDWARE

③

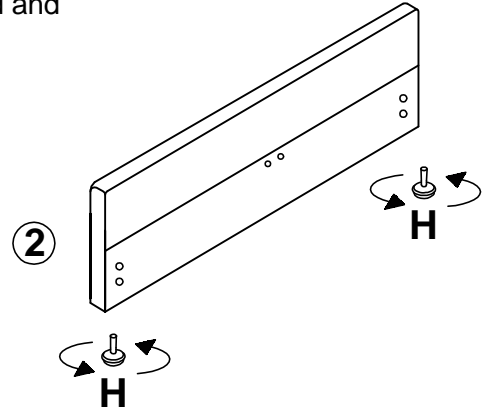
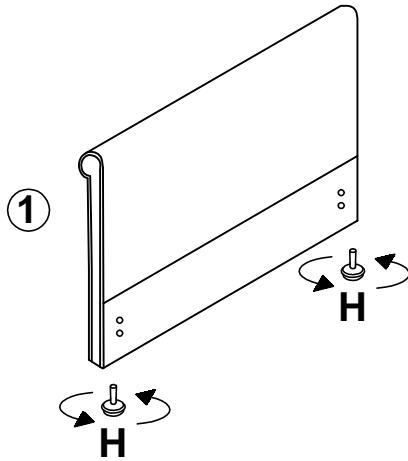
Part	Diagram	Description	Qty
A		1/4 x 15mm Bolt	8
B		5/16 x 45mm Bolt	8
C		1/4 x 20mm Bolt	10
D		1/4 x 60mm Bolt	8
E		5/16 x 25mm Bolt	8
F		M8 Washer	24
G		Zinc Nut	6
H		Adjustable Feet	4
I		Base Lift Strap	1
J		5/16 x 60mm Bolt	2
K		Plastic Cap	26
L		M6 Allen Key	1
M		M8 Allen Key	1
N		Spanner	1
O		Corner Bracket	2
P		Corner Bracket	4

STEP 1



H x 4pcs

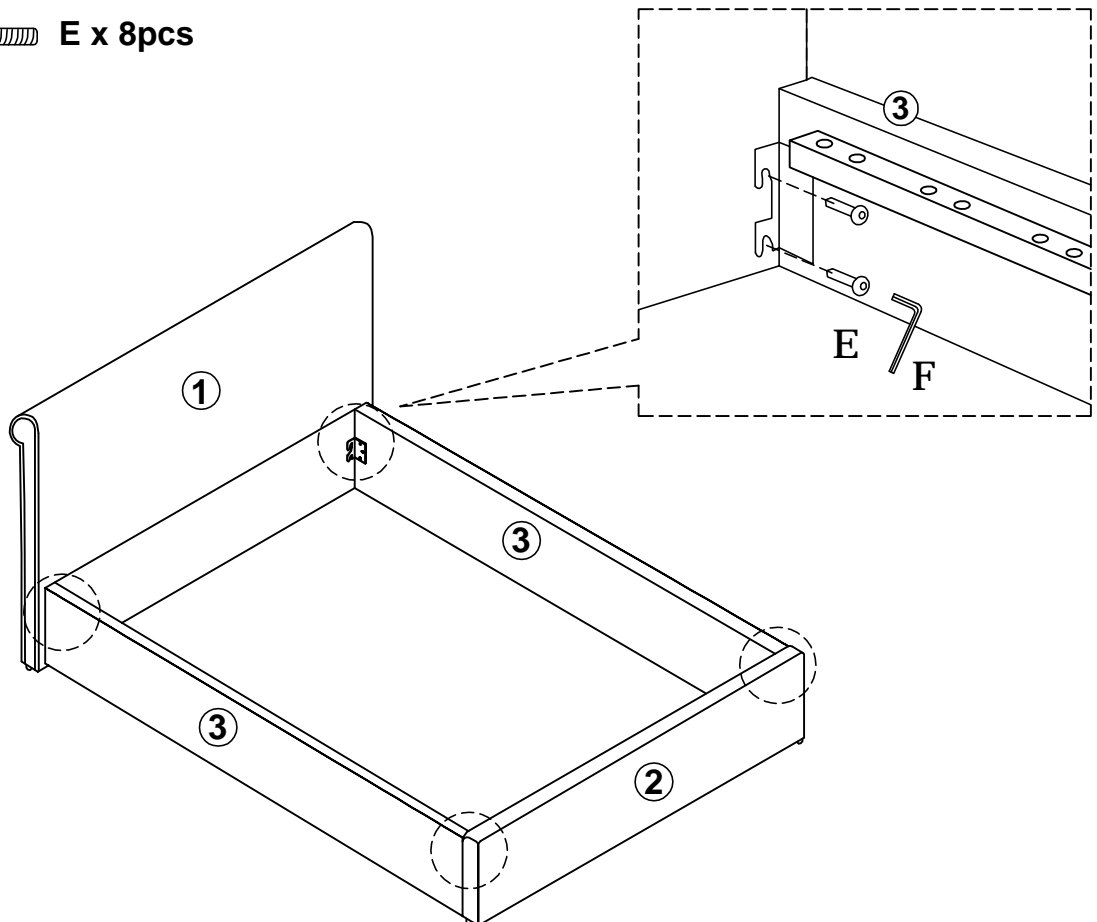
Fully tighten the feet into position on the underside of the headboard and footboard



STEP 2



E x 8pcs



STEP 3

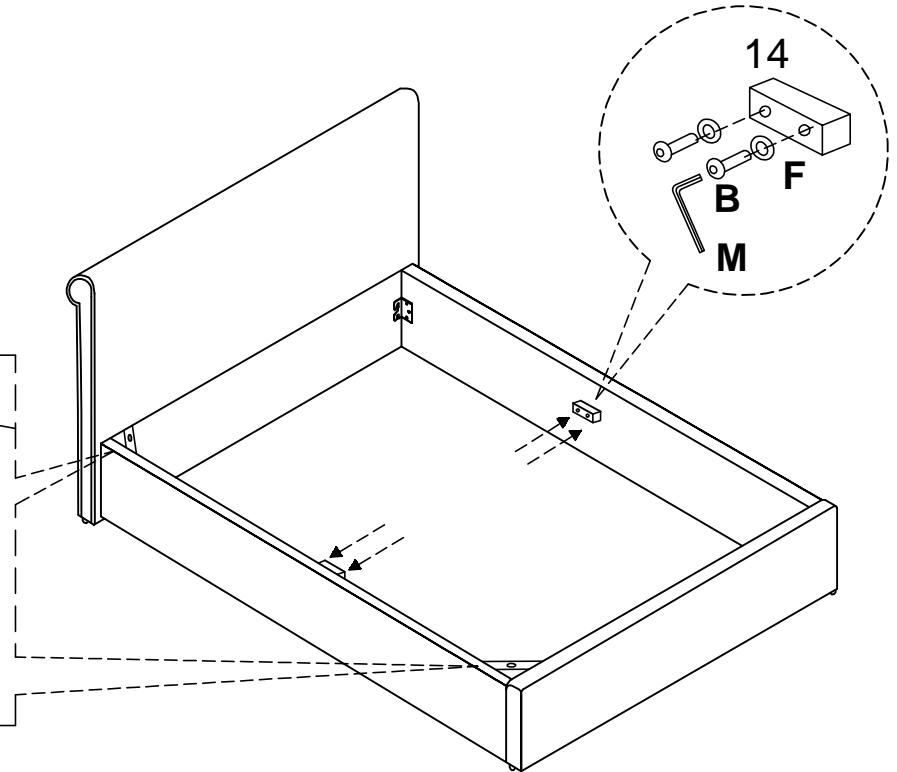
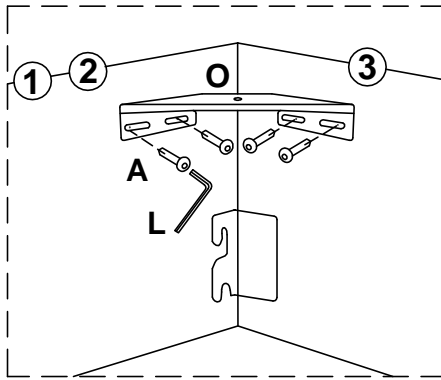
 **A x 8pcs**

 **F x 4pcs**

 **B x 4pcs**

OPTION A

LEFT HAND OPENING



STEP 3

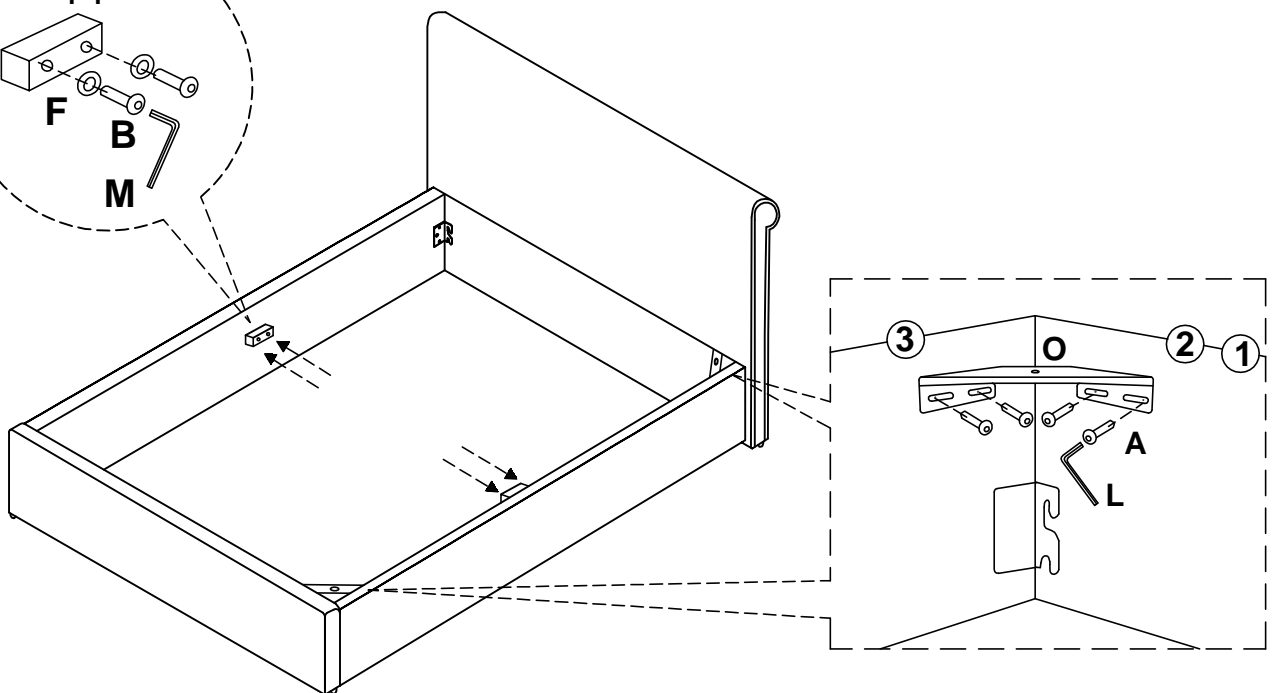
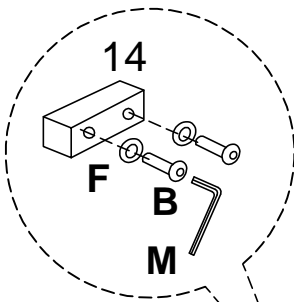
 **A x 8pcs**

 **F x 4pcs**

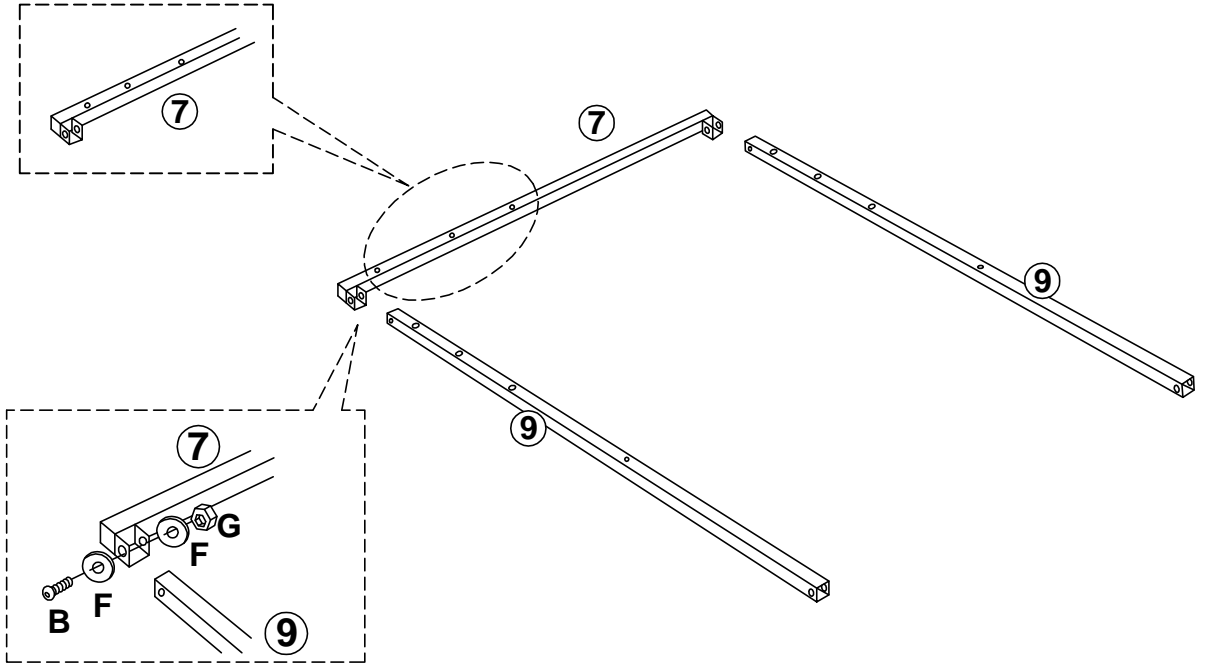
 **B x 4pcs**

OPTION B

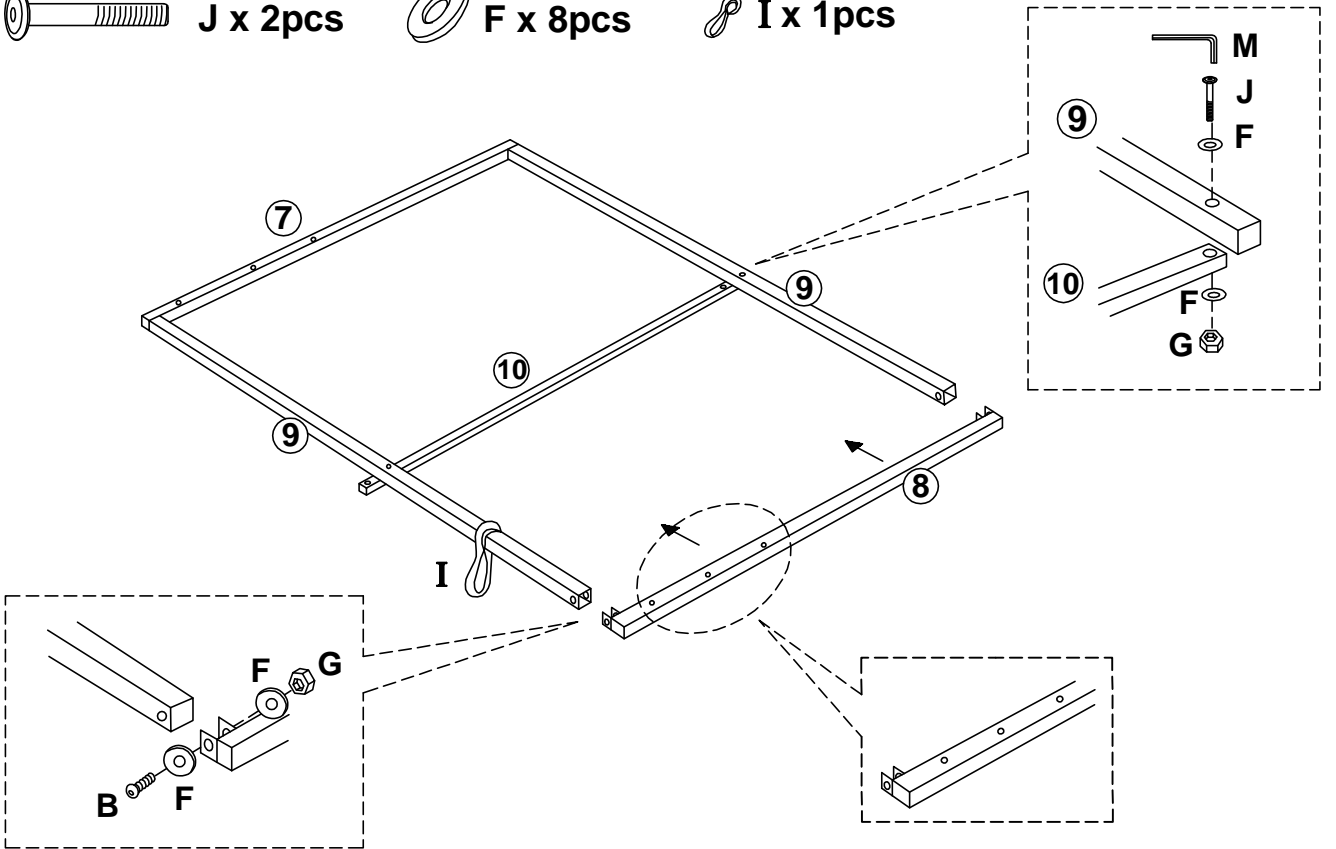
RIGHT HAND OPENING



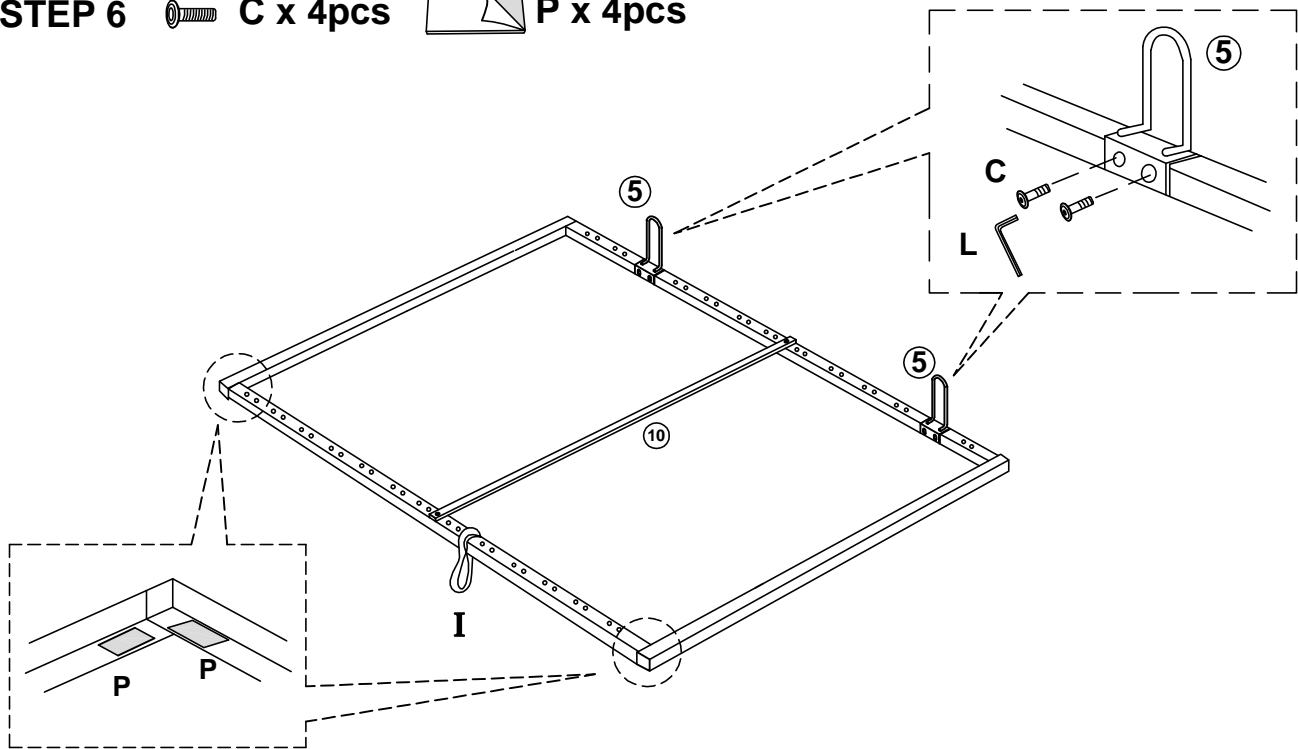
STEP 4  B x 2pcs  F x 4pcs  G x 2pcs



STEP 5  B x 2pcs  G x 4pcs
 J x 2pcs  F x 8pcs  I x 1pcs

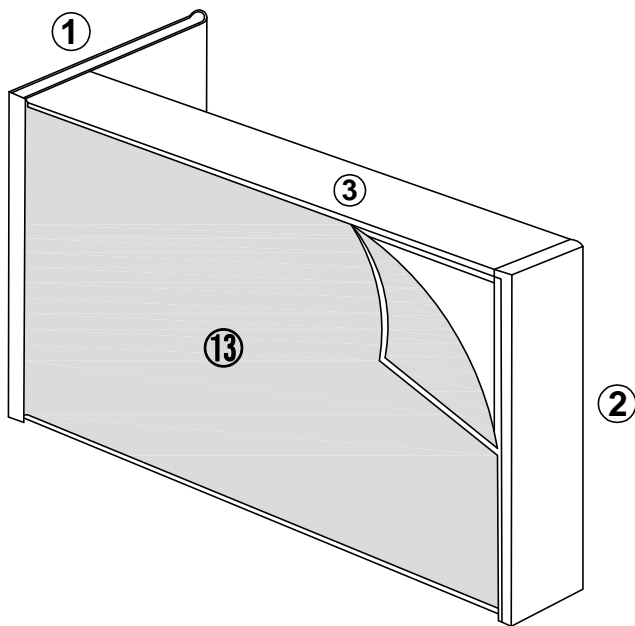


STEP 6  C x 4pcs  P x 4pcs

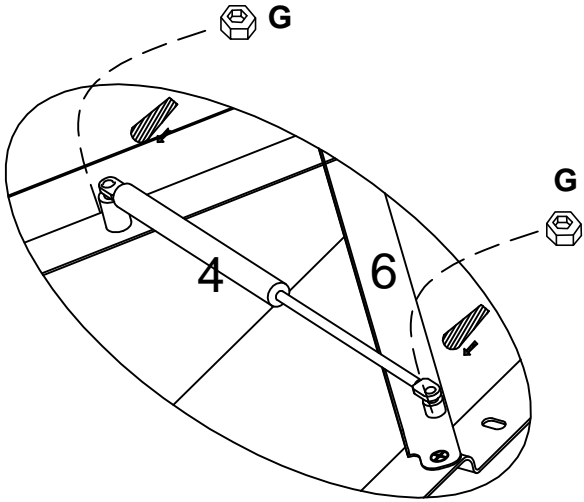
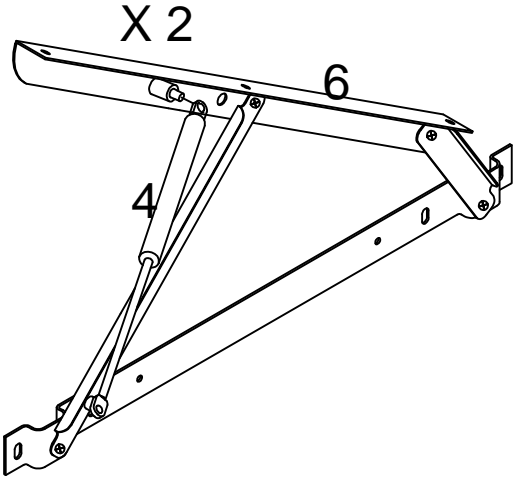


ATTACH THE EVA PAD TO THE UNDERSIDE OF THE METAL TUBE

STEP 7



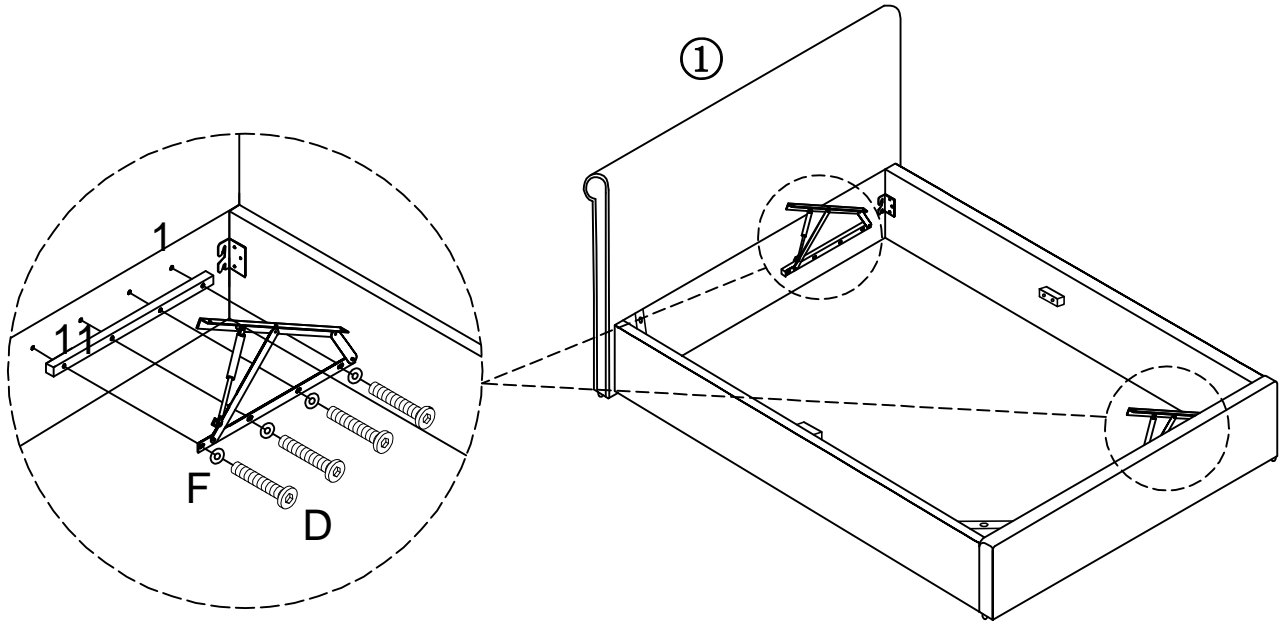
STEP 8  G x 4pcs



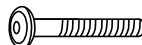

STEP 9

 D x 8pcs
 F x 8pcs

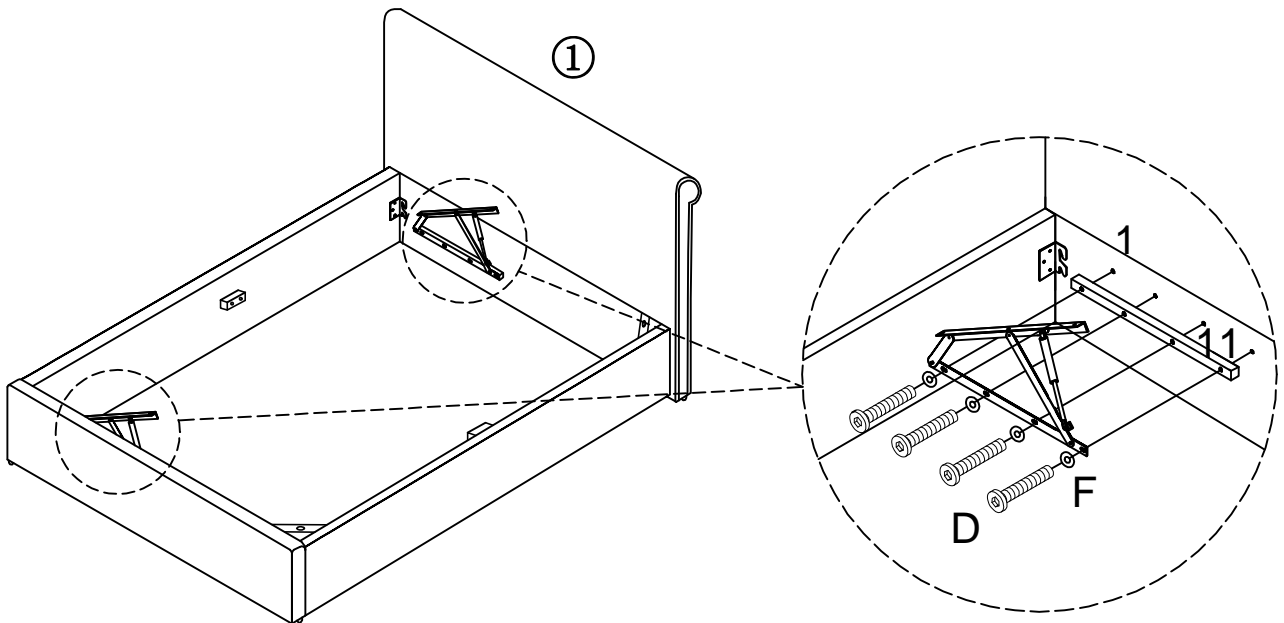
OPTION A
LEFT HAND OPENING



STEP 9

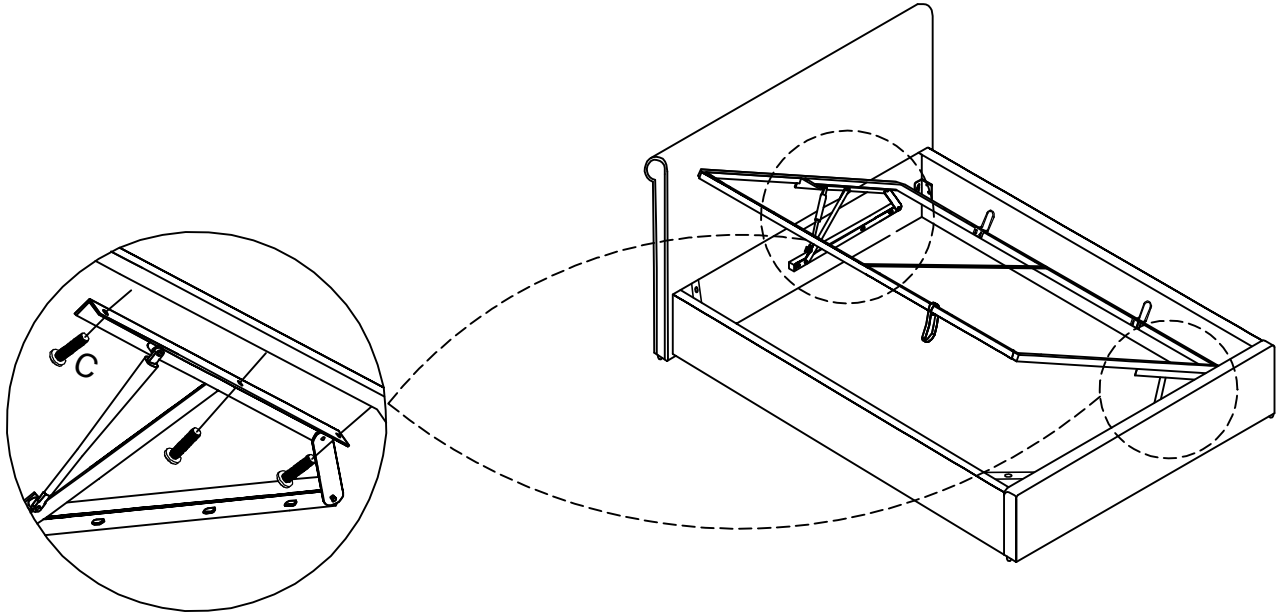
 D x 8pcs
 F x 8pcs

OPTION B
RIGHT HAND OPENING



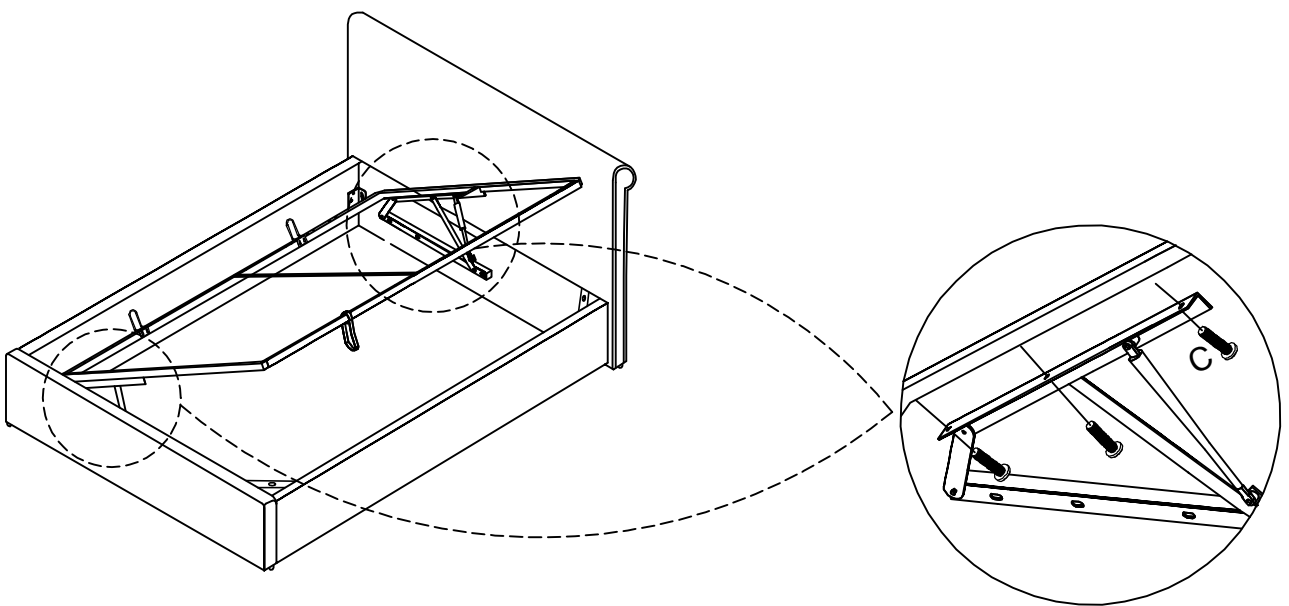
STEP 10  C x 6pcs

OPTION A
LEFT HAND OPENING



STEP 10  C x 6pcs

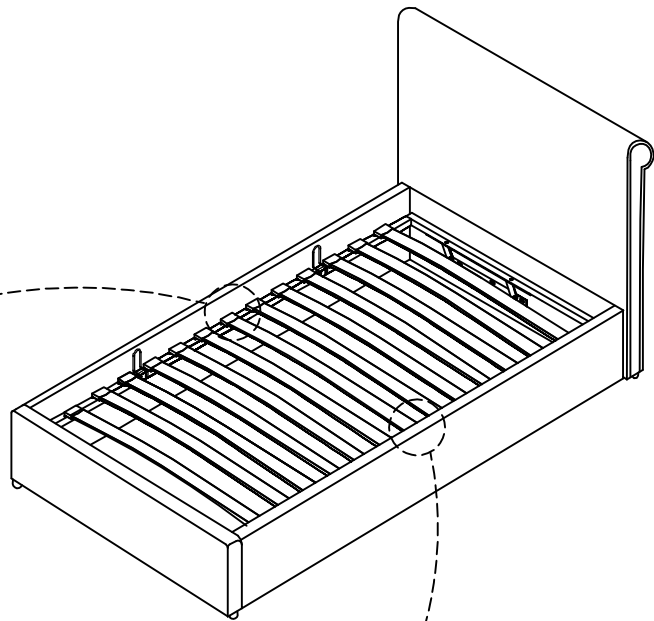
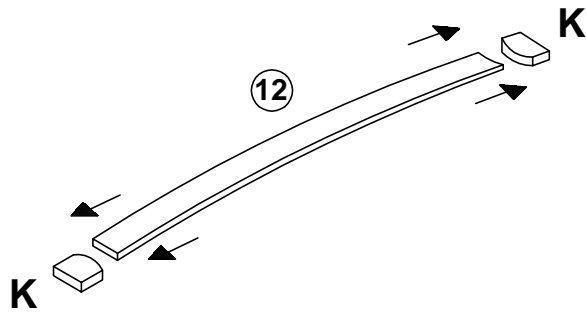
OPTION B
RIGHT HAND OPENING



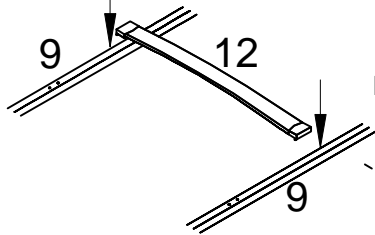
STEP 11



K x 26pcs



FIRST
DETAIL 1



SECOND
DETAIL 2

COMPLETED !

- Retightening of all fixing periodically is recommended.

- When moving your fully assembled bed you must first remove the mattress and lift the frame into position, take care when lifting and always have two people handling the bed. PLEASE DO NOT DRAG THE BED as this will cause damage to the rail.

- It is advisable to use approved cleaning products when cleaning the furniture and bed frame as certain chemical based cleaners could have an adverse effect on the bed finish.

- If any queries, please contact your seller.