

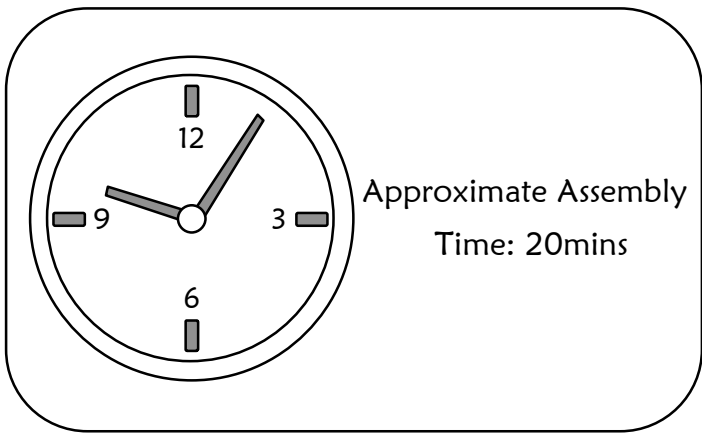
ASSEMBLY INSTRUCTION

Milano Day Bed

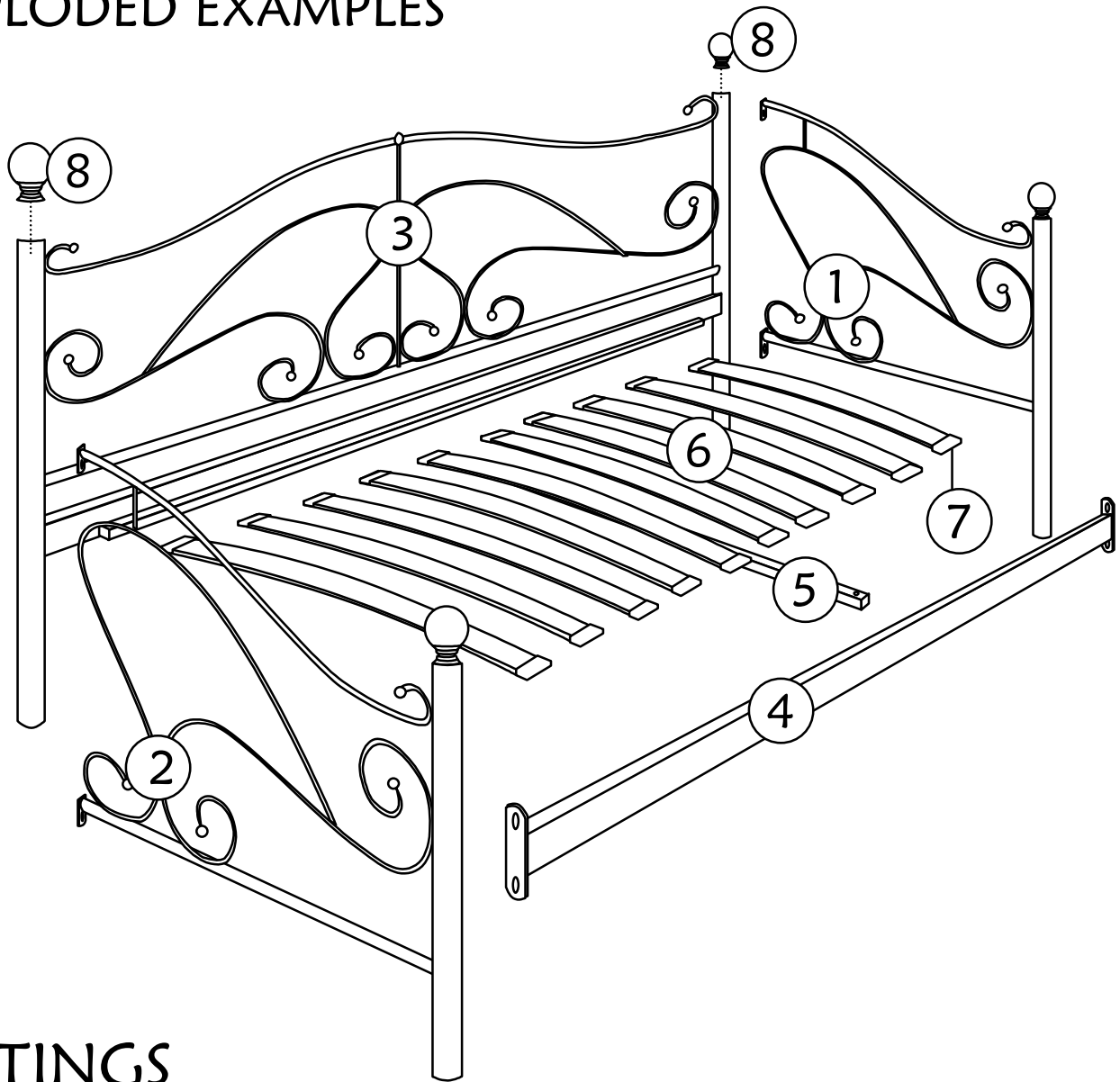


BEFORE YOU START :

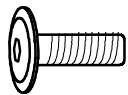
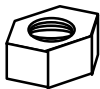
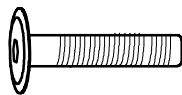

1. Choose a clean, level, spacious assembly area. Avoid hard surfaces that may damage the product.
2. Take care when lifting. Product should be assembled as near as possible to the point of use.
3. Ensure that you have all required contents for complete assembly.
4. Always read the assembly instructions carefully before beginning assembly.
5. Keep all hardware parts and packaging out of reach of small children.
6. Do not over tighten the screws and bolts as this may damage the thread.



EXPLODED EXAMPLES

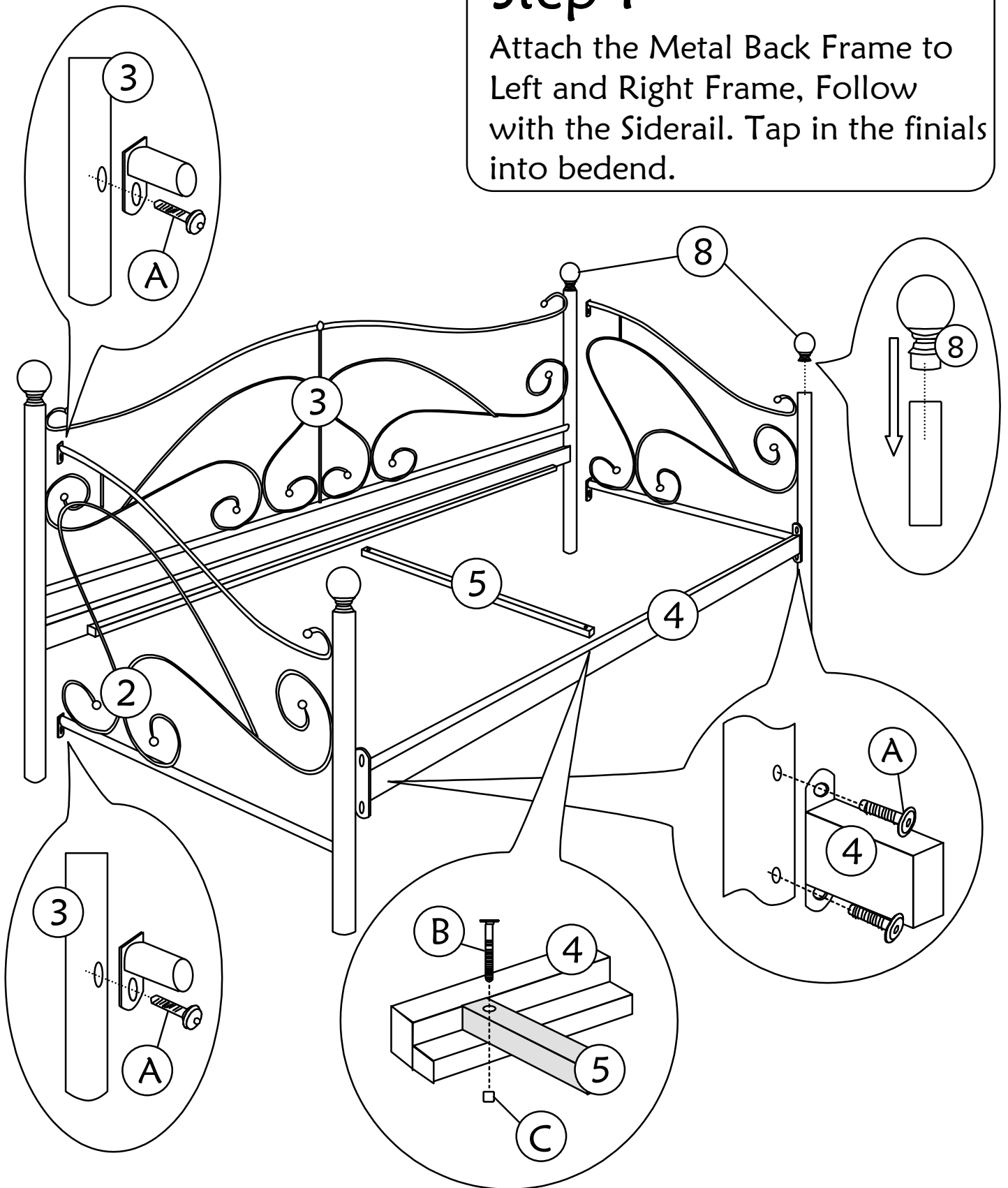


FITTINGS

A		M6x20mm bolt x 8pcs	C		M6 Hex Nut x 2pcs
B		M6x50mm bolt x 2pcs	D		M4 Allen Key x 1pc

Step 1

Attach the Metal Back Frame to Left and Right Frame, Follow with the Siderail. Tap in the finials into bedend.

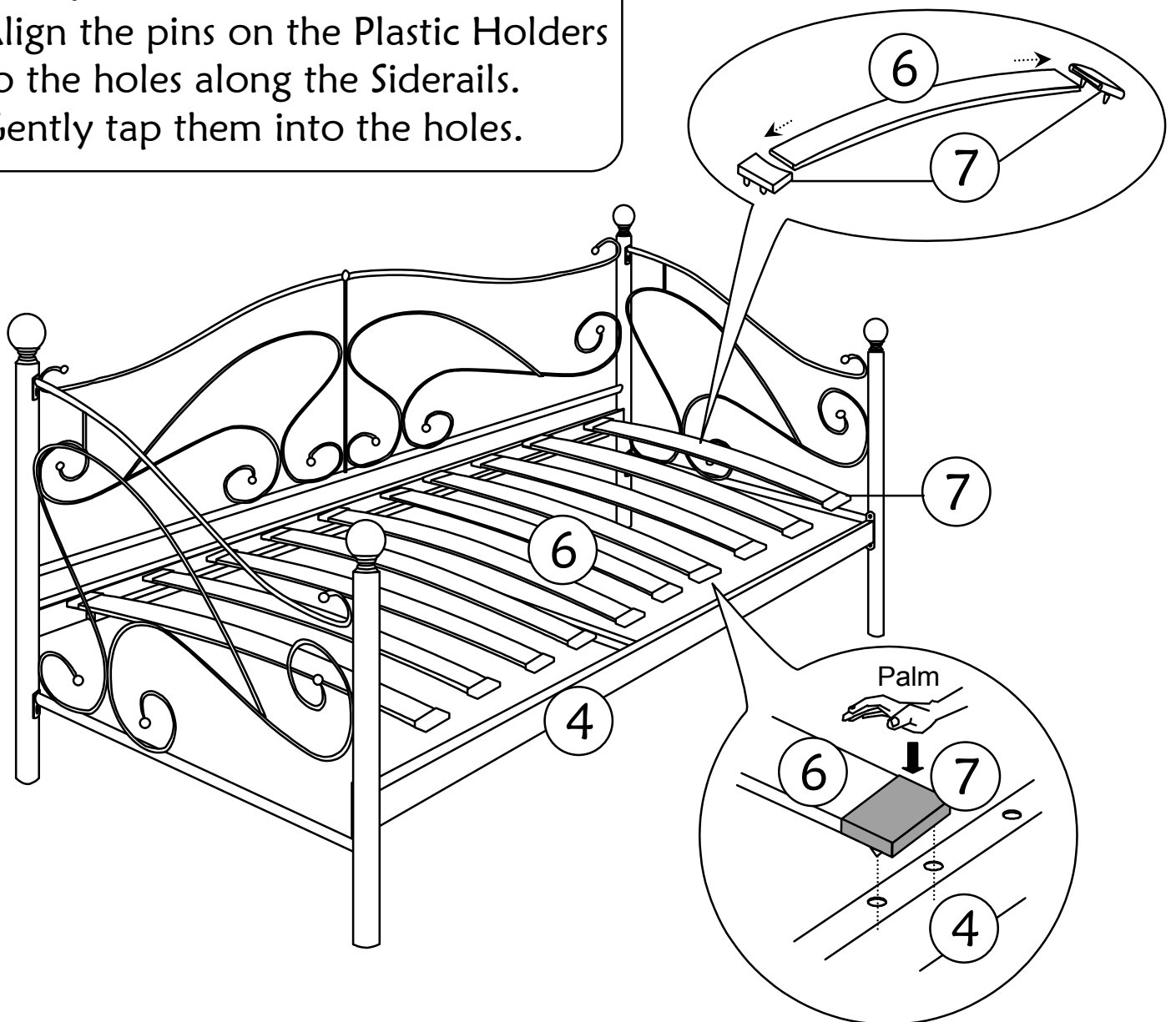


Step 2

Attach the Across Bar to the Siderails.

Step 3

Align the pins on the Plastic Holders to the holes along the Siderails. Gently tap them into the holes.



- Retightening of all fixing periodically is recommended.
- When moving your fully assembled bed you must first remove the mattress and lift the frame into position, take care when lifting and always have two people handling the bed. PLEASE DO NOT DRAG THE BED as this will cause damage to the rail.
- It is advisable to use approved cleaning products when cleaning the furniture and bed frame as certain chemical based cleaners could have an adverse effect on the bed finish.
- All SAREER beds are produced to the highest standards and are packed to avoid damage in transit, should you find that your new bed does not meet with your satisfaction please contact your seller.