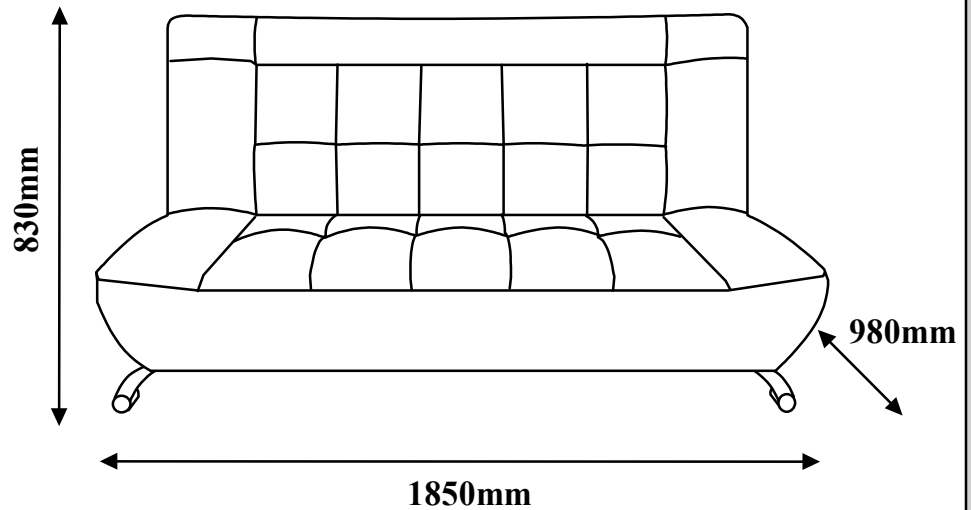


5
mins

**Approximate
Assembly Time**

**One person is
recommended to
assemble this product**

1



Milan Sofa Bed



BEFORE STARTING...

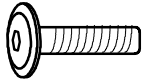
- **Read the assembly instructions carefully before beginning assembly.**
- **Check and ensure that you have all parts and fittings for complete assembly.**
- **Choose a clean, level, spacious assembly area. Hard surfaces may damage the product.**
- **The packaging and contents can be a choking hazard, therefore keep out of reach of small children at all times.**
- **Do not over tighten the bolts as this may damage the thread.**

HARDWARE

2

A

M8 x 25mm
x 18pcs



B

Washer
x 18pcs

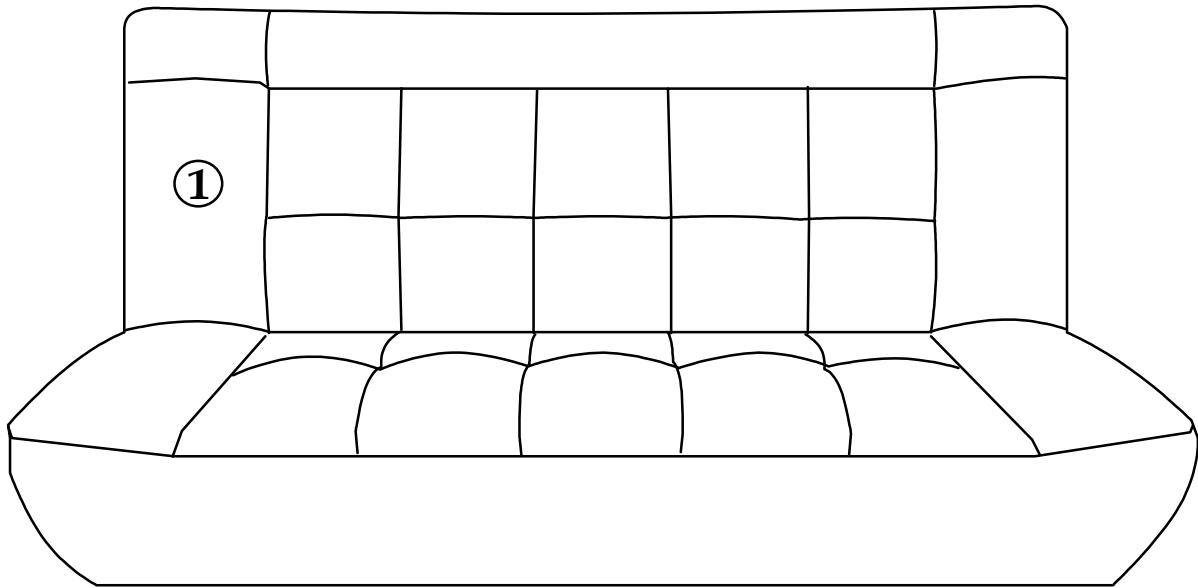


C

Allen Key
x 1pc



PART

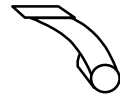


②



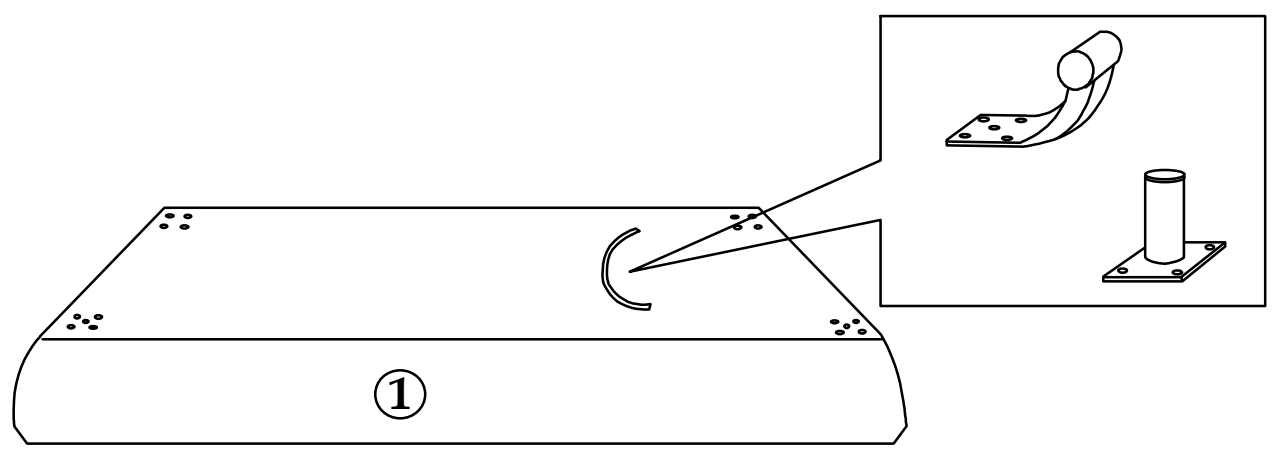
③

③

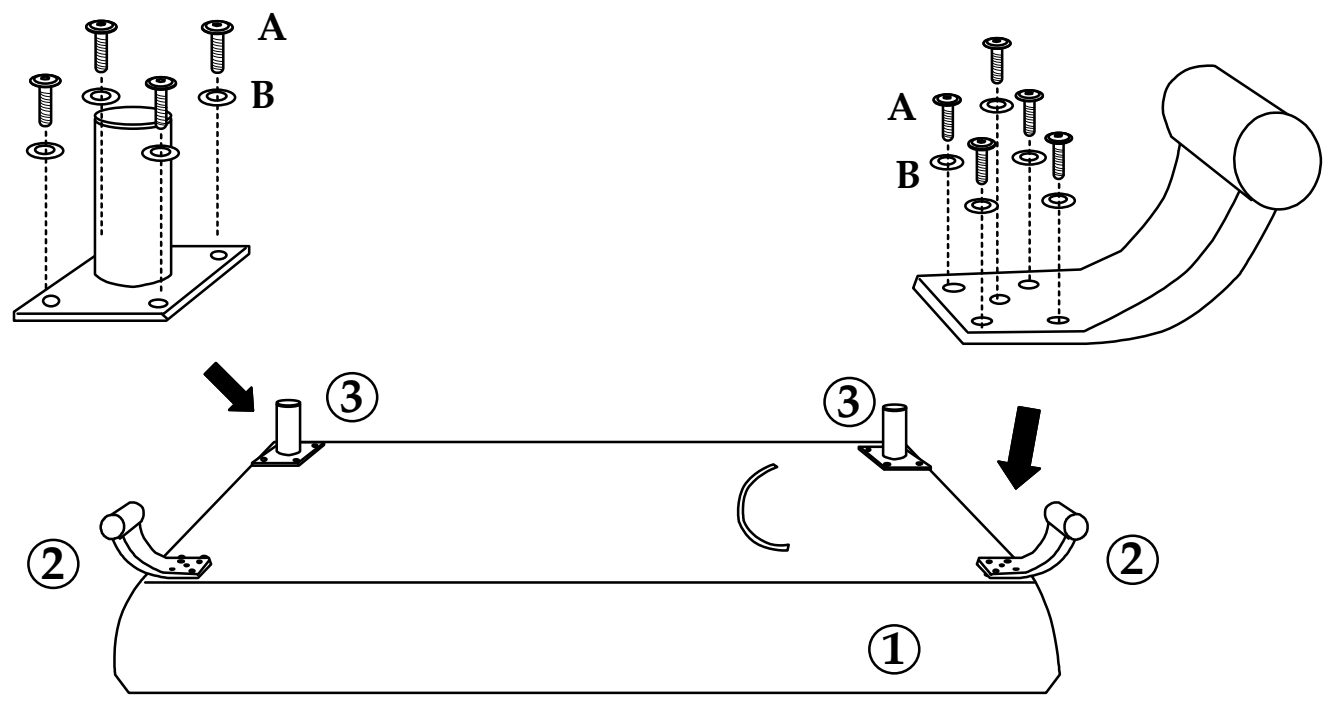


②

1 Take out the legs and fittings from the bottom of the sofa.



2 Assemble the legs to the sofa as shown.



- **Retightening of all fixing periodically is recommended.**

- **Take care when lifting and always have two people handling the chair. PLEASE DO NOT DRAG THE CHAIR as this may cause damage to the chair and your ground surface.**

- **It is advised to use approved cleaning products when cleaning the furniture as certain chemical based cleaners could have an adverse effect on the chair finish.**

- **If any queries, please contact your seller.**