

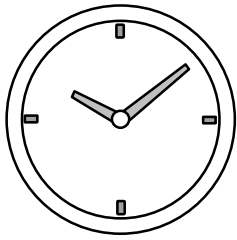
ASSEMBLY INSTRUCTIONS

Jose 4'6 Bed



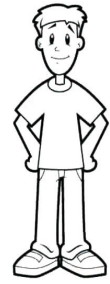
Before you start:

1. Choose a clean, level, spacious assembly area. Avoid hard surfaces that may damage the product.
2. Take care when lifting. Product should be assembled as near as possible to the point of use.
3. Ensure that you have all required contents for complete assembly.
4. Always read the assembly instructions carefully before beginning assembly.
5. Keep all hardware parts and packaging out of reach of small children.
6. Do not over tighten the screws and bolts as this may damage the threads.

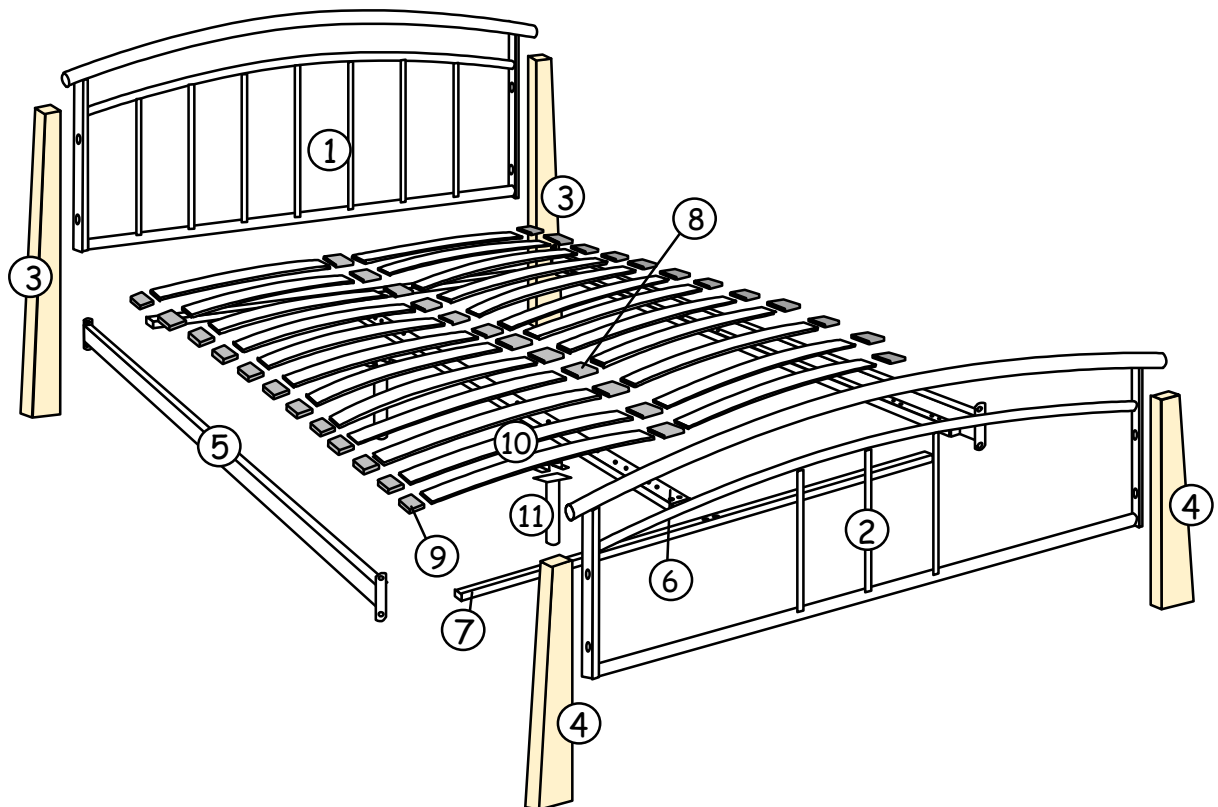


Approximate Assembly
Time: 20mins

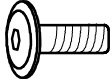
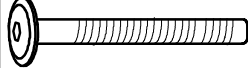
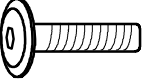
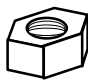
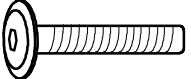

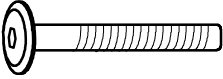
2 person needed



EXPLODED EXAMPLES

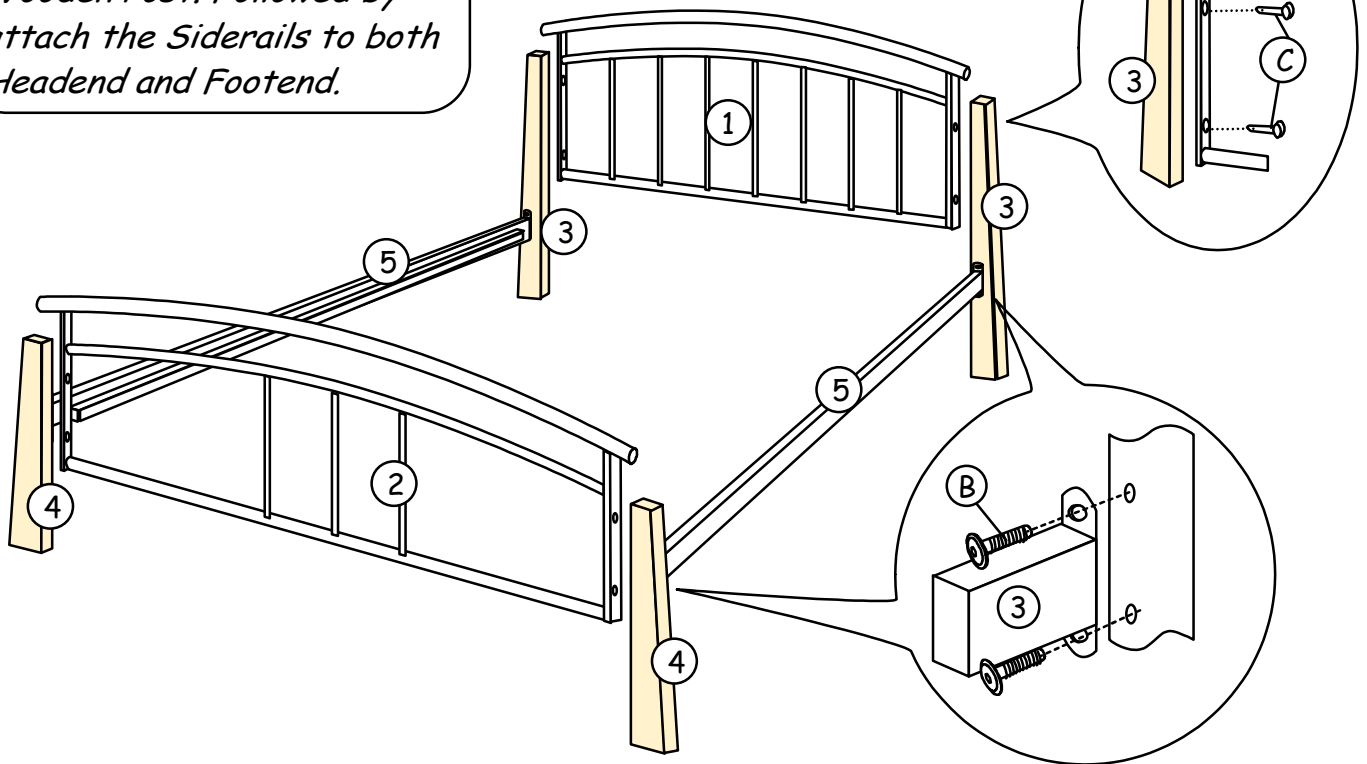


FITTINGS

A		M6x15mm X 4pcs	E		M6x60mm X 4pcs
B		M6x20mm X 8pcs	F		M6 Hex Nut X 12pcs
C		M6x30mm X 8pcs	G		Allen Key X 1pc
D		M6x50mm X 4pcs			

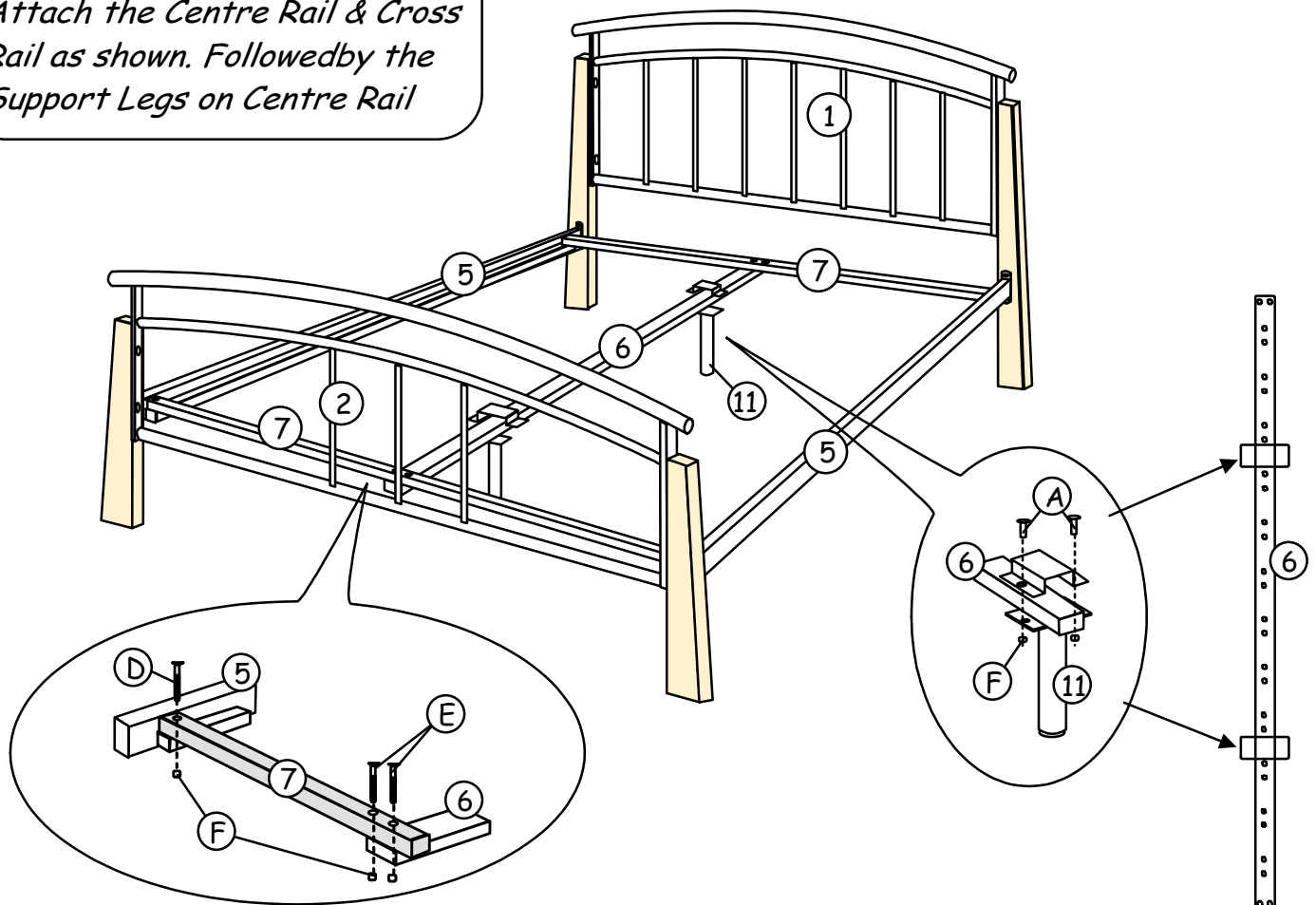
STEP 1

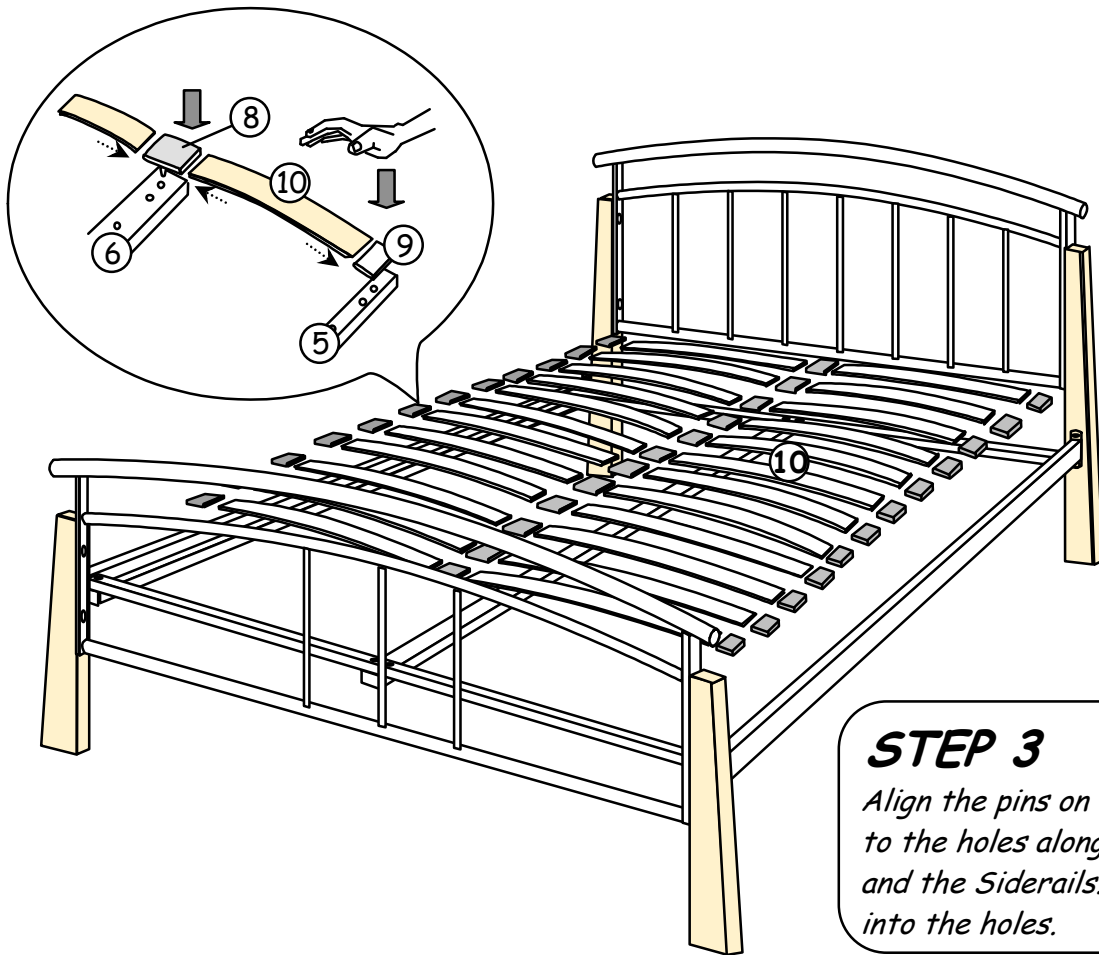
Attach the Metal Frame to Wooden Post. Followed by attach the Siderails to both Headend and Footend.



STEP 2

Attach the Centre Rail & Cross Rail as shown. Followed by the Support Legs on Centre Rail





STEP 3

Align the pins on the Plastic Holders to the holes along the Centre Rails and the Siderails. Gently tap them into the holes.

- Retightening to all fixing periodically is recommended.
- When moving your fully assembled bed you must first remove the mattress and lift the frame into position, take care when lifting and always have two people handling the bed. PLEASE DO NOT DRAG THE BED as this will cause damage to the rail.
- It is advisable to use approved cleaning products when cleaning the furniture and bed frame as certain chemical based cleaners could have an adverse effect on the bed finish.
- All SAREER beds are produced to the highest standards and are packed to avoid damage in transit, should you find that your new bed does not meet with your satisfaction please contact your seller.