

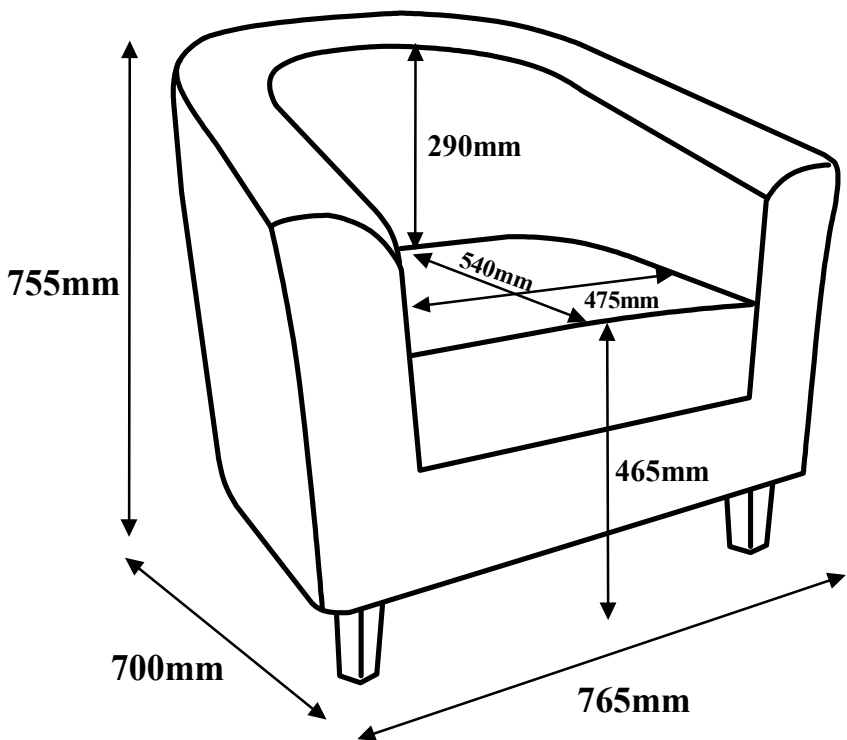
5
mins

**Approximate
Assembly Time**

**One person is
recommended to
assemble this product**



1



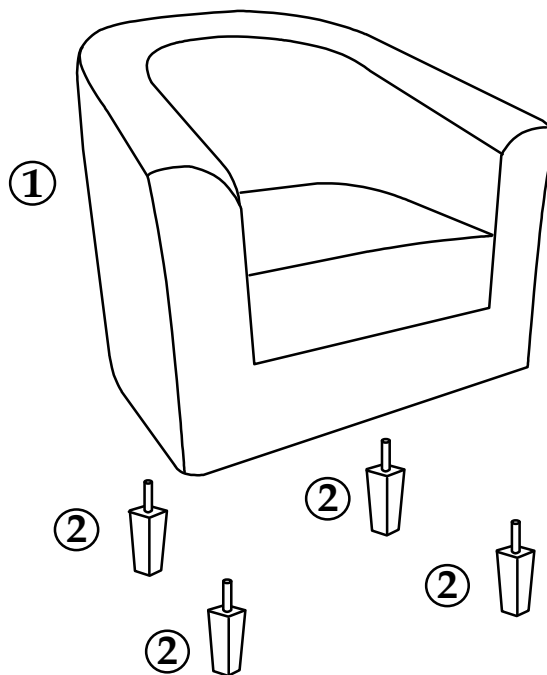
Boston Tub Chair

BEFORE STARTING...

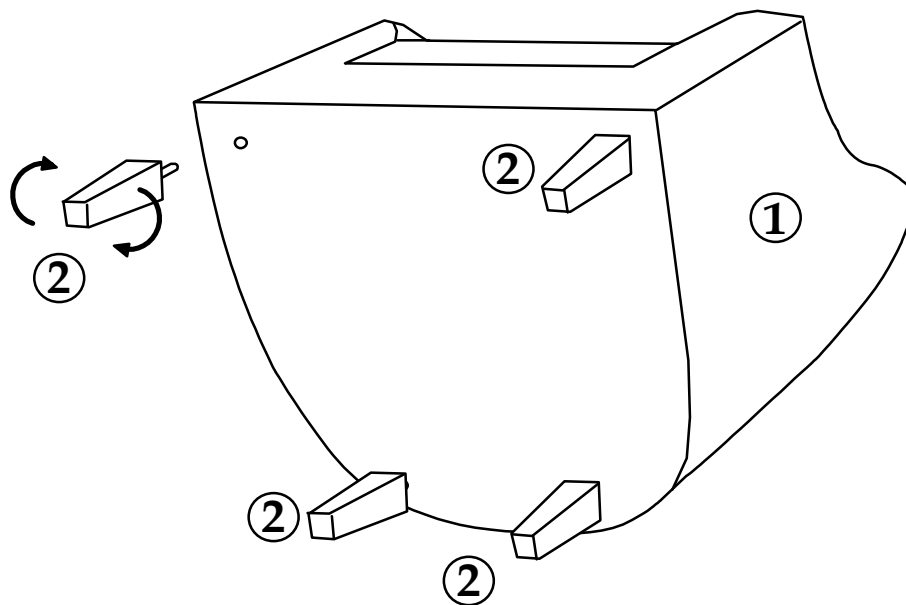
- Read the assembly instructions carefully before beginning assembly.
- Check and ensure that you have all parts and fittings for complete assembly.
- Choose a clean, level, spacious assembly area. Hard surfaces may damage the product.
- The packaging and contents can be a choking hazard, therefore keep out of reach of small children at all times.
- Do not over tighten the bolts as this may damage the thread.

PART

2



1 Screw in the wooden legs to the bottom of the chair seat.



- **Retightening of all fixing periodically is recommended.**

- **Take care when lifting and always have two people handling the chair. PLEASE DO NOT DRAG THE CHAIR as this may cause damage to the chair and your ground surface.**

- **It is advised to use approved cleaning products when cleaning the furniture as certain chemical based cleaners could have an adverse effect on the chair finish.**

- **If any queries, please contact your seller.**