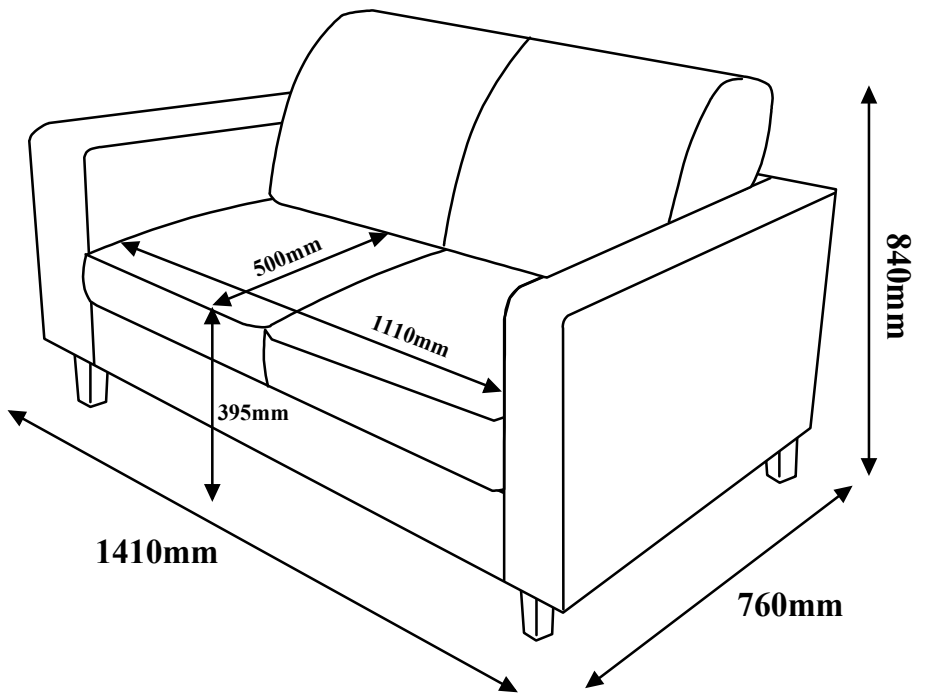


5  
mins

**Approximate  
Assembly Time**

**One person is  
recommended to  
assemble this product**



# Boston 2 Seater Sofa

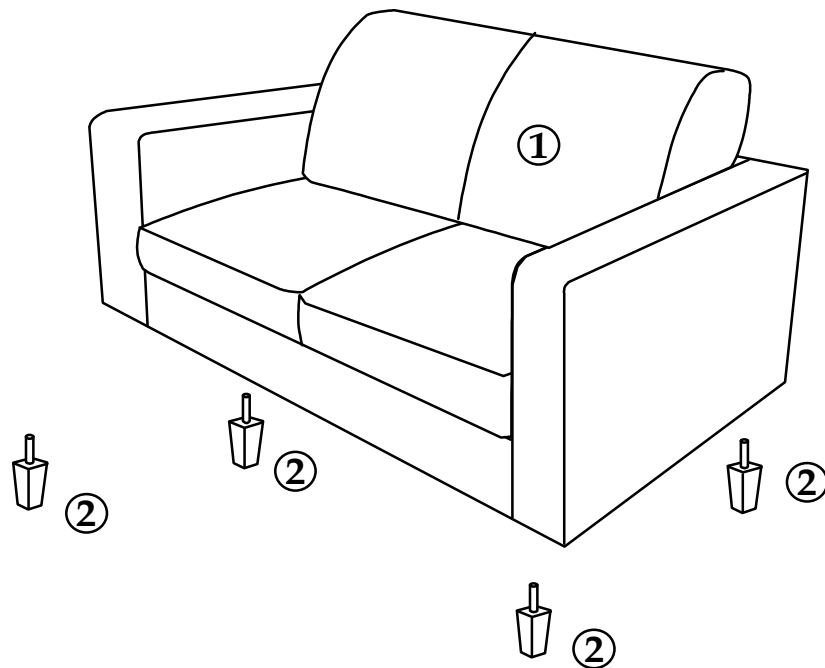


## BEFORE STARTING...

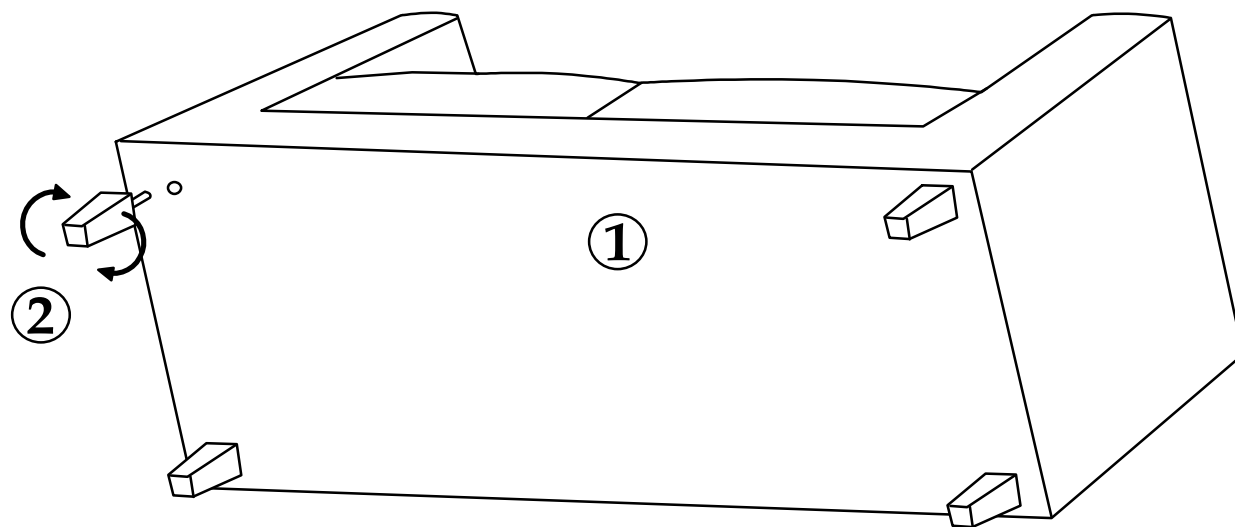
- Read the assembly instructions carefully before beginning assembly.
- Check and ensure that you have all parts and fittings for complete assembly.
- Choose a clean, level, spacious assembly area. Hard surfaces may damage the product.
- The packaging and contents can be a choking hazard, therefore keep out of reach of small children at all times.
- Do not over tighten the bolts as this may damage the thread.

# PART

2



**1** Screw in the wooden legs to the bottom of the chair seat.



- **Retightening of all fixing periodically is recommended.**
  
- **Take care when lifting and always have two people handling the chair. PLEASE DO NOT DRAG THE CHAIR as this may cause damage to the chair and your ground surface.**
  
- **It is advised to use approved cleaning products when cleaning the furniture as certain chemical based cleaners could have an adverse effect on the chair finish.**
  
- **If any queries, please contact your seller.**