

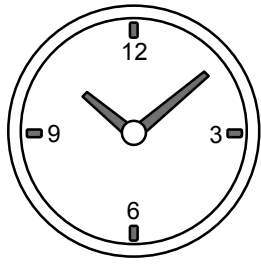
# ASSEMBLY INSTRUCTION

## Alexis 4'6 Bed



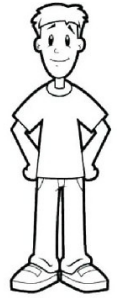
### BEFORE YOU START

1. Choose a clean, level, spacious assembly area. Avoid hard surfaces that may damage the product.
2. Check and ensure that you have all required contents for complete assembly.
3. Always read the assembly instructions carefully before beginning assembly.
4. The packaging and contents can be a choking hazard, therefore keep out of reach of small children at all times.
5. Do not over tighten the bolts as this may damage the thread.

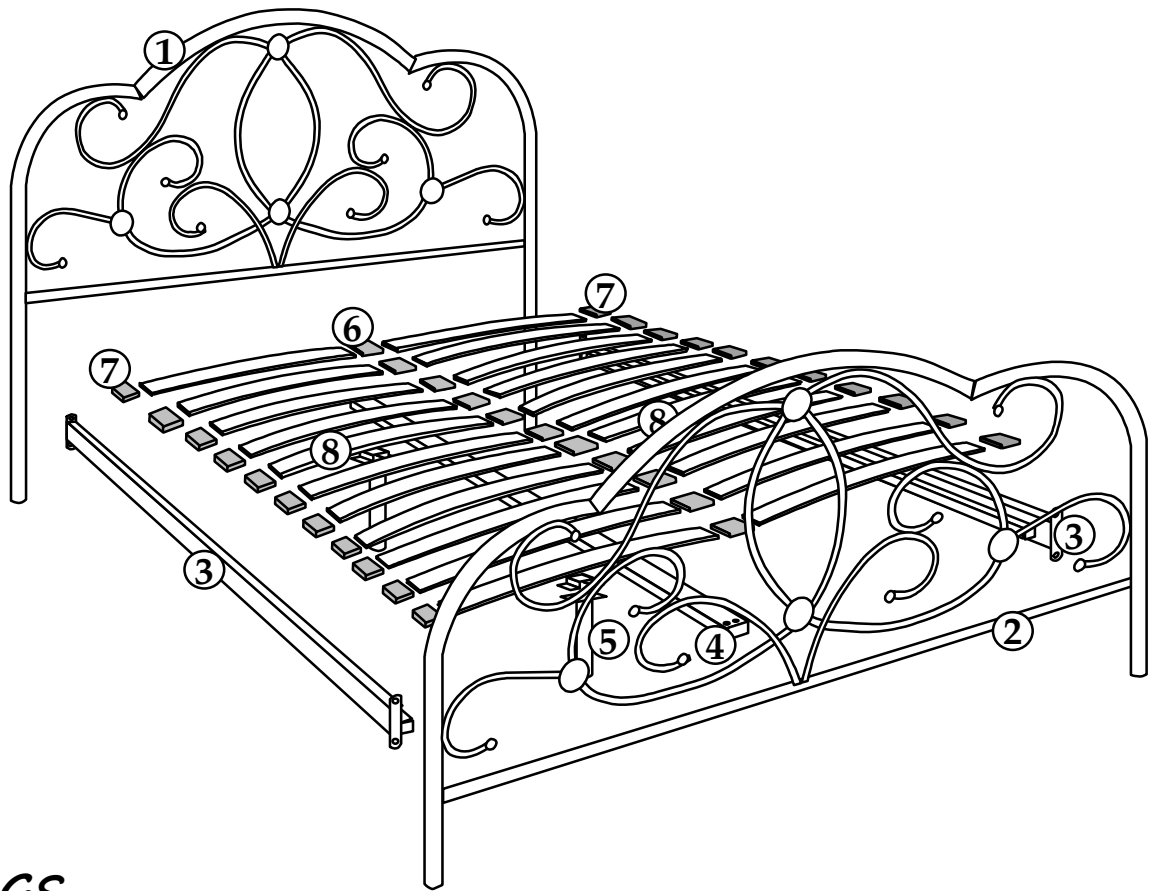


Approximate Assembly  
Time: 20mins

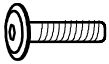
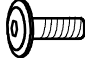
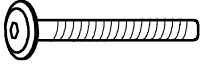

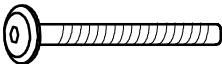
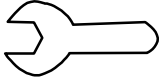

2 person needed



## EXPLODED EXAMPLES

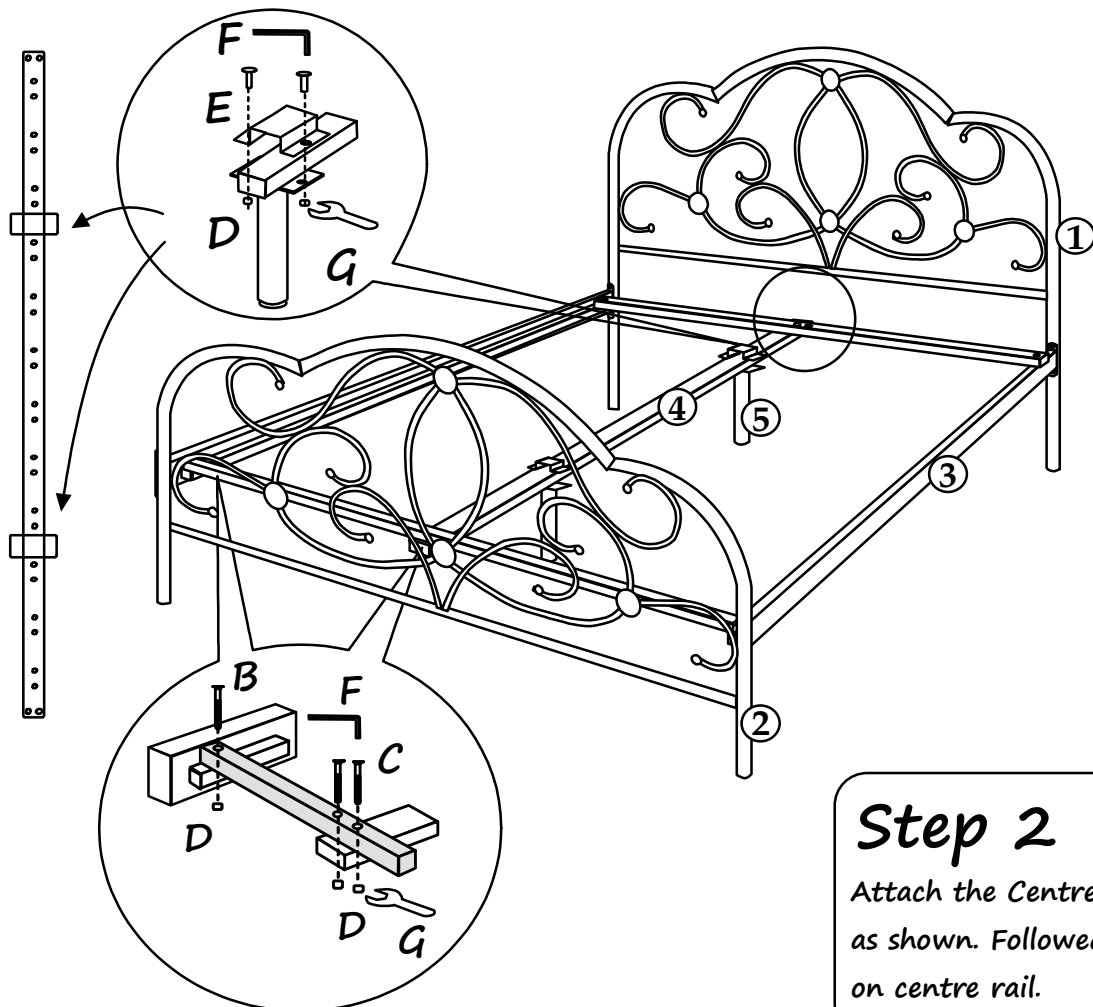
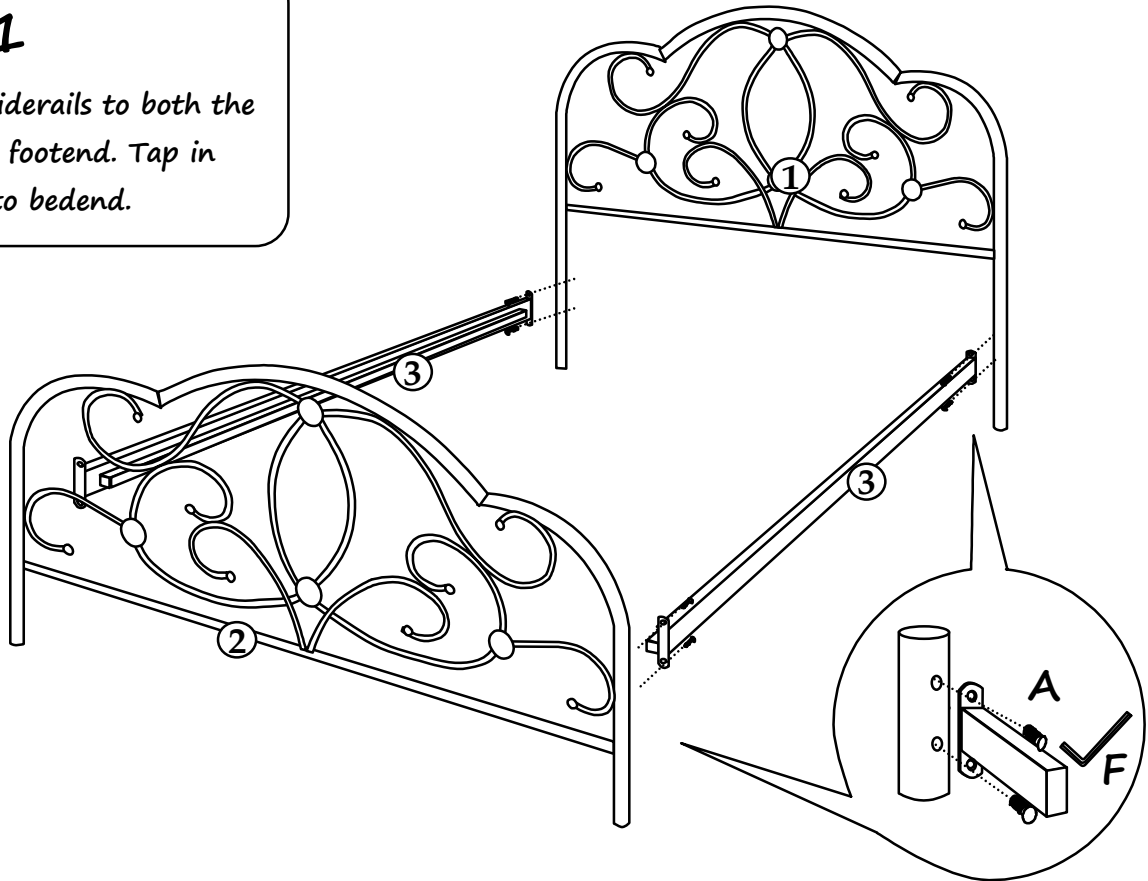


## FITTINGS

<b>A</b>		M6x20mm bolt x 8pcs	<b>E</b>		M6x15mm bolt x 4pcs
<b>B</b>		M6x55mm bolt x 4pcs	<b>F</b>		M4 Allen Key x 1pc
<b>C</b>		M6x60mm bolt x 4pcs	<b>G</b>		Spanner x 1pc
<b>D</b>		M6 Hex Nut x 12pcs			

# Step 1

Attach the Siderails to both the headend and footend. Tap in the finials into bedend.



# Step 2

Attach the Centre rail to the bedend as shown. Followed by the support legs on centre rail.

